

90cm multi-function 8 stainless steel oven with twin fan, fast heat up, programmable timer, and 125L gross capacity.



Product Details

FEATURES

Twin Fan System

Fast Heat Up

Large 125L gross oven capacity

Programmable timer

Easy guide side racks

Cooler to Touch Doors

Fingerprint resistant stainless steel

BENEFITS

Even cooking twin fan system

Our twin fan system that works to evenly distribute heat throughout the oven so you can enjoy delicious results every time.

Dinner's done sooner with our fast heat up oven

Why wait longer? Our fast oven heat up means you can get on with the job of getting dinner on the table sooner.

All the room for all your family favourites

If you are serious about creating delicious family feasts and you love entertaining, you'll be right at home with our 90cm oven with a generous 125L gross capacity. That's plenty of room for the biggest Christmas turkey or a weekend roast for all the family. The extra width makes getting things in and out super easy.

Programmable timer

The programmable timer gives the ability to plan your start and finish cooking time to the minute.

Place your shelves in with ease

Our easy guide side racks allow you to place your oven shelves in with ease.

Built in Australia

Westinghouse, has been the heart of the home for generations and the kitchen appliance brand we have always known and trusted to build reliable products. This oven is built in a local factory in Adelaide.

Specifications

PRODUCT PROFILE

| | |
|---------------------------------|------------------------------------------|
| Domestic warranty details (yrs) | 2 |
| Type of Oven | single oven |
| Oven fuel | electric |
| Materials/Colour | mark resistant stainless steel |
| Controls of Oven | 3 button touch control LED, control knob |
| Cooling fan | Yes |

FLUSH FIT CUT OUT

| | |
|-------------------------------|-----|
| Flush fit cut out height (mm) | 600 |
| Flush fit cut out width (mm) | 900 |
| Flush fit cut out depth (mm) | 581 |

DIMENSIONS

PRODUCT DIMENSION

| | |
|-------------------|-----|
| Total height (mm) | 596 |
| Total width (mm) | 895 |
| Total depth (mm) | 573 |

MAIN OVEN

| | |
|-------------------------|---------------|
| Gross capacity litres | 125 |
| Useable capacity litres | 116 |
| Oven function | multifunction |
| Number of functions | 8 |

MAIN OVEN

| | |
|-----------------|----------------------------------------------------------------------------------|
| Oven Functions | grill,defrost,base heat,fan grill,rapid heat,fan forced cooking,bake/pizza,Light |
| Oven liner | pyrolux high temperature enamel |
| Timer functions | duration,end,minute minder,oven start |
| Light wattage | 25 |

ELECTRICAL CONNECTION

| | |
|-------------------------------|-----------|
| Connected load KW | 3.6 |
| Maximum current rating (amps) | 15 |
| Type of connection | hardwired |

OTHER FEATURES

| | |
|----------------------|------------------------------------------------------|
| Door | removable door,removable inner glass panes,drop down |
| Timer | 3 button touch control programmable timer |
| Lights | 2 |
| Light wattage | 25 |
| Light position | top |
| Shelf support | side rack |
| Number of shelves | 2 |
| Safety features | cool door |
| Closed door grilling | Yes |

COOKTOP (IF APPLICABLE)

ELECTRICAL CONNECTION

| | |
|-------------------|-----|
| Connected load KW | 3.6 |
|-------------------|-----|

| | |
|--------------------------------|----|
| Maximum current rating Amps | 15 |
|--------------------------------|----|

STUFFING QUANTITIES

| | |
|------|----|
| 40ft | 96 |
|------|----|

OTHER FEATURES

| | |
|----------------------|---------------------------------------------------------------|
| Included accessories | 2 x chromed wire shelf,grill insert,grill/oven pan,side racks |
|----------------------|---------------------------------------------------------------|

| | |
|-------------------------|---|
| Layers of glass in door | 3 |
|-------------------------|---|

| | |
|---------------------------|---|
| Number of shelf positions | 5 |
|---------------------------|---|

SHIPPING

| | |
|----------------------|-------|
| Shipping Volume (m3) | 0.675 |
|----------------------|-------|

| | |
|----------------------|----|
| Shipping Weight (Kg) | 65 |
|----------------------|----|

| | |
|--------------------------------|-----|
| Pack Dimensions Height (mm) | 900 |
|--------------------------------|-----|

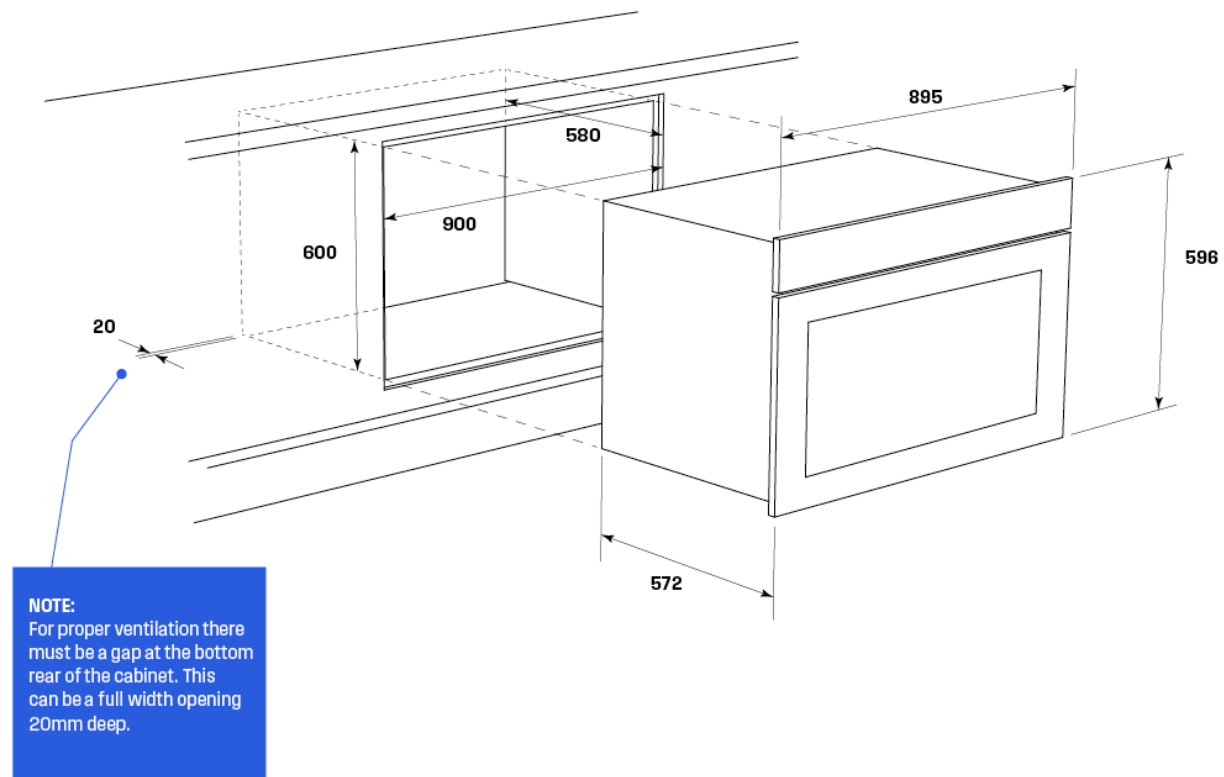
| | |
|------------------------------|------|
| Pack Dimension Width (mm) | 1000 |
|------------------------------|------|

| | |
|------------------------------|-----|
| Pack Dimension Depth (mm) | 750 |
|------------------------------|-----|

Dimensions

90cm ovens

WVE9515SD, WVE9516DD, WVEP9716SD, WVEP9917DD,
WVE9915DDA, WVE9915SDA



IMPORTANT

These dimensions are a guide only. All measurements are in millimetres (mm).
For complete installation instructions, refer to the manual provided with product.

Terms and Conditions

IMPORTANT

This is a guide of product dimensions only. For complete installation instructions, refer to the manual provided with product.

PRODUCT INFORMATION

The descriptors and illustrations in this publication apply to the specific products and models described as at the date of issue. Under our policy of continuous product development, product specifications may change without notice. Prospective purchasers should therefore check with their retailer to ensure this publication correctly describes the products that are being offered for sale. All information supplied is to be used for general reference purposes only and is on the understanding that Electrolux Home Products Pty Ltd (Australia) and Electrolux (NZ) Ltd (New Zealand) will not be liable for any loss, liability or damage of whatever kind arising as a result of reliance on such information. Colours of products illustrated are as close as printing limitations allow. Electrolux will at all times comply with its obligations pursuant to law including Trade Practices (Australian Consumer Law) Act and Regulations.

WARRANTY

This warranty only applies to Appliances purchased and used in Australia or New Zealand and used in normal domestic applications and is in addition to (and does not exclude, restrict, or modify in any way) any non-excludable statutory warranties in Australia or New Zealand. All warranties are subject to the conditions set out in the warranty card accompanying the product when purchased.

ELECTROLUX HOME PRODUCTS AUSTRALIA

telephone: 1300 363 640

fax: 1800 350 067

email: customercare@electrolux.com.au

web: www.electrolux.com.au

ELECTROLUX HOME PRODUCTS NEW ZEALAND

telephone: 09 573 2230

fax: 09 573 2221

email: customercare@electrolux.co.nz

web: www.electrolux.co.nz