

90cm multi-function 8 stainless steel oven with twin fan system, fast heat up, programmable timer and 125L gross capacity.

RRP AUS \$2,499.00 NZ \$4,349.00



Product Details

FEATURES

Twin Fan System

Fast Heat Up

Digital Programmable timer

Cooler to Touch Doors

Large 125L gross oven capacity

Easy guide side racks

BENEFITS

Even cooking twin fan system

Our twin fan system that works to evenly distribute heat throughout the oven so you can enjoy delicious results every time.

Dinner's done sooner with our fast heat up oven

Why wait longer? Our fast oven heat up means you can get on with the job of getting dinner on the table sooner.

Programmable timer

The programmable timer gives the ability to plan your start and finish cooking time to the minute.

Place your shelves in with ease

Our easy guide side racks allow you to place your oven shelves in with ease.

Cooler to touch oven doors

Beautifully designed with Australian families in mind, the multi-layer glazing of our oven doors are cooler to the touch when the oven is hot.

All the room for all your family favourites

If you are serious about creating delicious family feasts and you love entertaining, you'll be right at home with our 90cm oven with a generous 125L gross capacity. That's plenty of room for the biggest Christmas turkey or a weekend roast for all the family. The extra width makes getting things in and out super easy.

Built in Australia

Westinghouse, has been the heart of the home for generations and the kitchen appliance brand we have always known and trusted to build reliable products. This oven is built in a local factory in Adelaide.

Specifications

PRODUCT PROFILE

Domestic warranty details (yrs)	2
Type of Oven	single oven
Oven fuel	electric
Materials/Colour	stainless steel
Controls of Oven	3 button touch control LED,control knob
Control panel material	stainless steel
Control panel design	Flat
Knob finish	metalised
Handle Finish/Colour	stainless steel
Door material (exterior)	stainless steel/glass
Cooling fan	Yes

FLUSH FIT CUT OUT

DIMENSIONS

PRODUCT DIMENSION

Total height (mm)	596
Total width (mm)	895
Total depth (mm)	572

MAIN OVEN

Gross capacity litres	125
-----------------------	-----

Flush fit cut out height (mm)	600
-------------------------------	-----

Flush fit cut out width (mm)	900
------------------------------	-----

Flush fit cut out depth (mm)	580
------------------------------	-----

MAIN OVEN

Useable capacity litres	116
-------------------------	-----

Oven function	multifunction
---------------	---------------

Number of functions	8
---------------------	---

Oven Functions	grill,defrost,maxi grill,base heat,fan grill,rapid heat,fan forced cooking,bake/pizza
----------------	---

Oven liner	pyrolux high temperature enamel
------------	---------------------------------

Timer functions	duration,end,minute minder,oven start
-----------------	---------------------------------------

Light wattage	25
---------------	----

ELECTRICAL CONNECTION

Connected load KW	3.6
-------------------	-----

Maximum current rating (amps)	15
-------------------------------	----

Type of connection	hardwired
--------------------	-----------

OTHER FEATURES

Door	removable door,removable inner glass panes,drop down
------	--

Timer	3 button touch control programmable timer
-------	---

Lights	2
--------	---

Light wattage	25
---------------	----

Light position	top
----------------	-----

OTHER FEATURES

Shelf support	side rack
---------------	-----------

Number of shelves	2
-------------------	---

Safety features	cool door
-----------------	-----------

Closed door grilling	Yes
----------------------	-----

Included accessories	grill rack,2 x chromed wire shelf,grill insert,grill dish
----------------------	---

Layers of glass in door	3
-------------------------	---

Number of shelf positions	5
---------------------------	---

SHIPPING

Shipping Weight (Kg)	64.5
----------------------	------

Pack Dimensions Height (mm)	720
-----------------------------	-----

Pack Dimension Width (mm)	990
---------------------------	-----

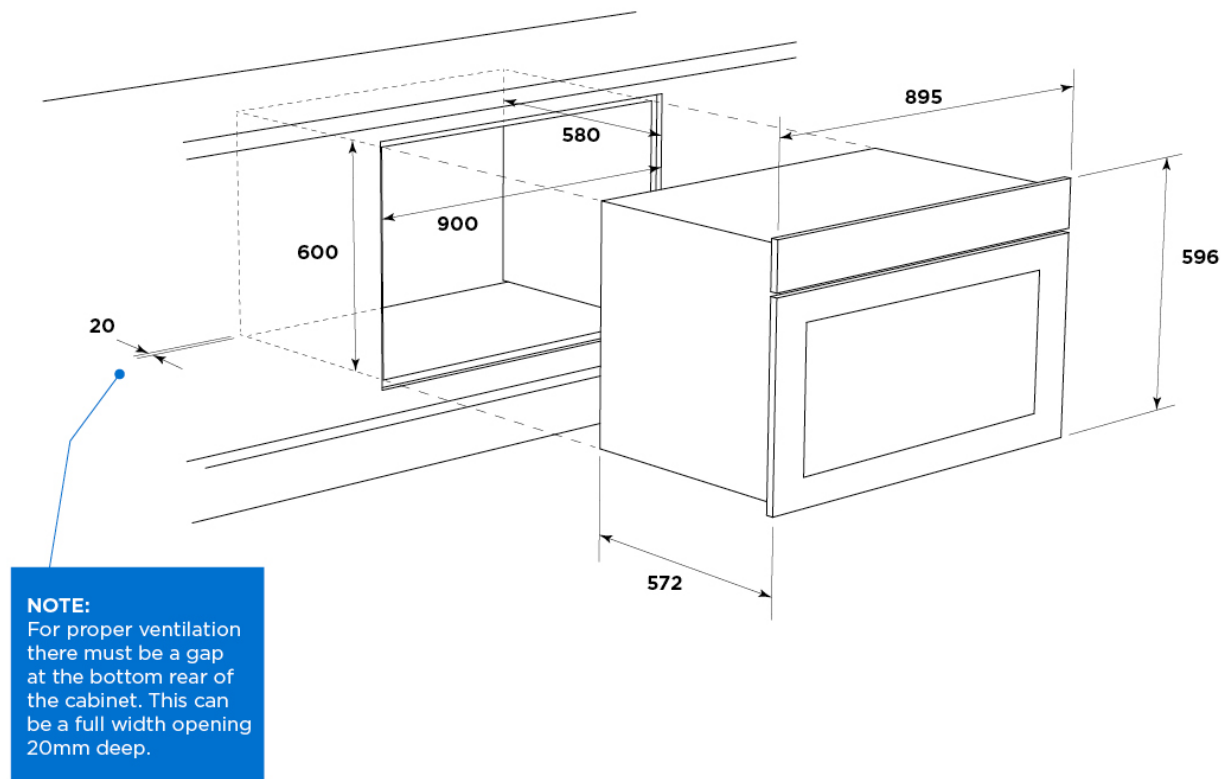
Pack Dimension Depth (mm)	740
---------------------------	-----

STUFFING QUANTITIES

40ft	96
------	----

Dimensions

WVE915SC, WVEP916SC, WVEP917SDSC, WVE915SCA



IMPORTANT

These dimensions are a guide only. All measurements are in millimetres (mm). For complete installation instructions, refer to the manual provided with product.

© 2020 Electrolux Home Products Pty Ltd. ABN 51 004 762 341. WDIM_Aspire_Apr20

Terms and Conditions

IMPORTANT

This is a guide of product dimensions only. For complete installation instructions, refer to the manual provided with product.

PRODUCT INFORMATION

The descriptors and illustrations in this publication apply to the specific products and models described as at the date of issue. Under our policy of continuous product development, product specifications may change without notice. Prospective purchasers should therefore check with their retailer to ensure this publication correctly describes the products that are being offered for sale. All information supplied is to be used for general reference purposes only and is on the understanding that Electrolux Home Products Pty Ltd (Australia) and Electrolux (NZ) Ltd (New Zealand) will not be liable for any loss, liability or damage of whatever kind arising as a result of reliance on such information. Colours of products illustrated are as close as printing limitations allow. Electrolux will at all times comply with its obligations pursuant to law including Trade Practices (Australian Consumer Law) Act and Regulations.

WARRANTY

This warranty only applies to Appliances purchased and used in Australia or New Zealand and used in normal domestic applications and is in addition to (and does not exclude, restrict, or modify in any way) any non-excludable statutory warranties in Australia or New Zealand. All warranties are subject to the conditions set out in the warranty card accompanying the product when purchased.

ELECTROLUX HOME PRODUCTS AUSTRALIA

telephone: 1300 363 640

fax: 1800 350 067

email: customercare@electrolux.com.au

web: www.electrolux.com.au

ELECTROLUX HOME PRODUCTS NEW ZEALAND

telephone: 09 573 2230

fax: 09 573 2221

email: customercare@electrolux.co.nz

web: www.electrolux.co.nz