

**Series 4, heat pump tumble dryer, 8 kg
WTH83001AU**



Easy to use heat pump dryer for efficient drying with easy to clean filter

- **ActiveAir Technology** reuses existing heat efficiently during the entire drying process.
- **Auto Dry:** automatically dries to the exact degree of dryness you want.
- **Anti-Vibration Design:** Extremely stable vibration protection ensures high smoothness of operation.
- **Sensitive Drying System:** for gentle drying without wrinkles.
- **Anti-crease:** laundry is automatically loosened once program finished and does not crease.

Built-in / Free-standing:	Free-standing
Removable top:	No
Door hinge:	Right
Length electrical supply cord:	145.0 cm
Dimensions (HxWxD):	842 x 598 x 613 mm
Net weight:	46.3 kg
Fluorinated greenhouse gases:	No
Type of refrigerant:	R290
Hermetically sealed equipment:	Yes
EAN code:	4242005362974
Connection rating:	600 W
Fuse protection:	10 A
Voltage:	220-240 V
Frequency:	50 Hz
Capacity:	8.0 kg
Energy efficiency rating:	A+



-
- WMZ20600 Wool in basket - accessory
 - WTZ11400 Stacking kit with pull-out shelf
 - WTZ20410 Stacking kit
 - WTZPW20D Platform with pull-out, dryer, cubic

Series 4, heat pump tumble dryer, 8 kg WTH83001AU

Easy to use heat pump dryer for efficient drying with easy to clean filter

Capacity

- Capacity: 8 kg

Consumption rates

- 7 Energy Stars
- Energy consumption 159 kWh per year on Cottons, Cupboard Extra Dry, Drying level 1, used once per week. When tested in accordance with AS/NZS 2442.2. Actual energy use and running costs will depend on how you use the appliance.

Programs

- standard programmes: cotton, easy care
- Special drying programs:
 - Cottons: hard-wearing items made from cotton or linen with four desired dryless level options: Cupboard Extra Dry / Cupboard Dry / Iron Dry / Eco Easy Care: items made from synthetic or blended fabrics with three desired dryless level options: Cupboard Extra Dry / Cupboard Dry / Iron Dry
 - Shirts/Blouses: designed to allow immediate ironing or hanging up shirts/blouses after the program completes.
 - Delicates: items made from satin, synthetic or blended fabrics
 - Towels: hard wearing towels and dressing gowns made of cotton
 - Mixed: items made from cotton or blended fabrics
 - Super 40': short program for synthetic fabrics and light cottons
 - Sportswear: sports and leisure items made from synthetic fibers, microfiber or fleece
 - Timed Program Cold: manually set a custom time for loosening up or airing clothing that has hardly been worn
 - Timed Program Warm: manually set a custom time for drying slightly damp or multi layered thick items
- Touch control option settings:
 - Three dryless level options: Cupboard Dry / Cupboard Dry Plus / Iron Dry
 - Easy Iron: the drum moves the laundry at regular intervals after drying to prevent creasing
- Finished in (delayed start): you can delay the start of the program by up to 24 hours
- 2 time-based programs
- 7 Sensor-Care plus 2 time-based programs

Performance

- Anti crease cycle 120 min at the end of the program
- Operating noise level: 65 dB(A)

Features

- ActiveAir heat pump technology, existing heat is reused efficiently during the entire drying process
- Easy-to-use program selector for standard, timed and special programs
- Time delay to select end of time of your wash (1-24 hours) and time remaining indicator
- Easy clean filter for easy maintenance
- End of cycle indicator

Design

- Sensitive drying system: textile friendly drum design and SoftFlow paddles ensure soft, fluffy laundry and helps to reduce creasing

- Large water condensation container: If there is no drain hose connected to the appliance the condensation water from the drying cycle will be stored in the condensation container
- AntiVibration design: for greater stability and quietness
- Large LED display for easy use

Safety

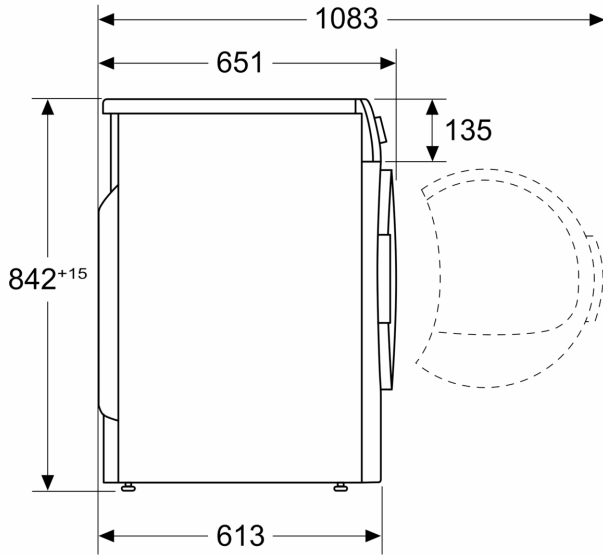
- Child safety control lock
- Warning indicator for lint filter
- Automatic drum stop when door is opened

Technical Information

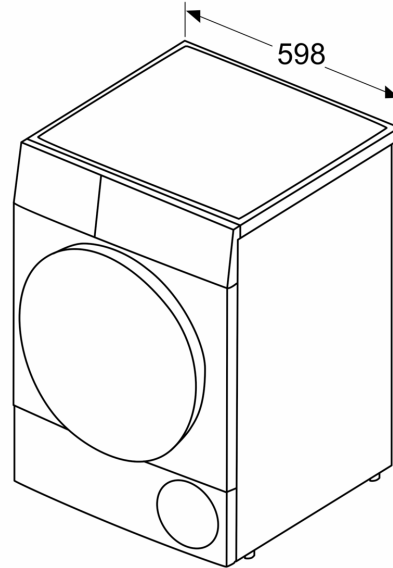
- Slide-under height of 85cm
- Dimensions (H x W x D): 84.2 cm x 59.8 cm x 61.3 cm (65.1 cm including door handle)
- 7 Star energy rating for Drying

**Series 4, heat pump tumble dryer, 8
kg
WTH83001AU**

Measurements in mm



Measurements in mm



Measurements in mm

