

**TRIPLE ZONE WINE CELLAR**

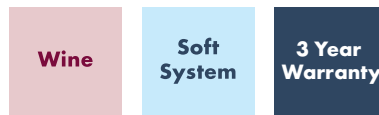
**WTes 5872**



**LIEBHERR**

Quality, Design and Innovation

# LIEBHERR TRIPLE ZONE WINE CELLAR WTes 5872



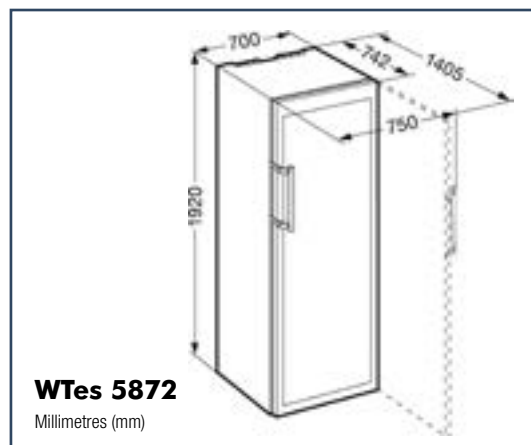
Model	WTes 5872
Type I Category	FS I Vinidor
Finish	Stainless Steel
°Energy consumption (kWh/yr) I 24hr	°245 I 1.08
△Bottle capacity (750ml Bordeaux)	178
Safety glass door	•
MagicEye control system I Display	SoftTouch I LCD
Digital temperature display	Internal
Tinted glazed door	Double
Temperature zones	3
Temperature range (°C) Min I Max °C	5 I 20
Suitable for ambient temperature Min I Max °C	10 I 38
Interior light	Dimmable LED
Hand crafted beech wood shelves	10
Shelves mounted on telescopic rails	•
Presentation shelf	•
Base shelves	3
Recirculated air cooling	•
Fresh air supply via activated charcoal filter	3
Child proof lock (control panel)	•
SlimLine handles I Integrated opening mechanism	• I •
Reversible door hinges	•
Key lock	•
Label holders	•
Compressors	1
Door open warning signal	•
Temperature alarm	•
Malfunction warning signal	•
Ventilation switch	•
Automatic defrosting	•
Ventilation switch	•

## Technical Information

Default hinge	Right
Gross weight (kg) I Net weight (kg)	121 I 114
Height (mm)	1920
Width (mm)	700
Depth (mm)	742
Voltage (V) I Rated Current (A)	220-240 I 2.0
Made In	Austria

KEY: FS = Freestanding, ° = Measurements taken at +25°C ambient and +12°C interior temperature tested by Liebherr Germany (not to Australian standards), △ = Based on Bordeaux 750ml bottle - capacity may vary depending on bottle shape and size. Door hinging either right or left hand must be nominated for this model.

If building into cavity, please note the below requirements:  
 Minimum air space above cabinet (mm): 50mm  
 Minimum air space behind cabinet (mm): 50mm  
 Minimum air space on sides of cabinet (mm): 15mm



## WTes 5872

Millimetres (mm)

Whilst every effort is made to ensure all specifications and information in this flyer are correct at time of printing, Andi-Co Australia Pty. Ltd. reserve the right to make changes without notification. Where actual appliance measurements, specifications and ratings are crucial, we recommend that the actual appliance installation instructions that accompany each appliance be checked. Andi-Co Australia will not be liable for any loss.