

80cm integrated dark stainless rangehood with powerful 750m³/hr extraction rate, 3 fan speed and dishwasher safe filters.

RRP AUS \$739.00



Product Details

FEATURES

Powerful 750m³/hr extraction rate LED lighting 3 speed fan Dishwasher safe mesh filters

Dark Stainless Steel Finish Ducted or recirculating options

BENEFITS

Clear the air quickly
Our rangehoods offer powerful extraction rates ensuring your kitchen is clear of cooking odours, vapours and excess heat in no time at all.

Long lasting LED lights
Long lasting LED lights ensure you can keep an eye on your cooking with ease.

Easy-clean filters
For ease and convenience, our easily removed aluminium micro-mesh filters can simply be washed safely in your dishwasher or hand washed. Keep your rangehood looking great and performing well with next to no effort.

Quiet please, the cook's at work
We believe you should be able to cook and hear yourself think, or even have a conversation. That's why we developed a quieter motor that gives you high-speed extraction without the high levels of noise.

Specifications

PRODUCT PROFILE

Domestic warranty details (yrs)	2
---------------------------------	---

Type of Rangehood	integrated under cupboard
-------------------	---------------------------

Nominal width	800
---------------	-----

Finish of Rangehood	Dark stainless steel
---------------------	----------------------

MOTOR/FAN

Number of fans	1
----------------	---

Number of fans speeds	3
-----------------------	---

Type of motor	tangential
---------------	------------

Perimeter extraction	No
----------------------	----

Maximum airflow M3/Hr	750
-----------------------	-----

Noise level dB high	68
---------------------	----

Noise level dB low	52
--------------------	----

Number of motors	1
------------------	---

Wattage of motor	240
------------------	-----

DIMENSIONS

Total product height (mm)	317
---------------------------	-----

Total product width (mm)	792
--------------------------	-----

Total product depth (mm)	277
--------------------------	-----

CONTROLS

Control panel	electronic push button
---------------	------------------------

Safety/ display indicators	auto thermal cutout safety switch
----------------------------	-----------------------------------

Hob2Hood function	No
-------------------	----

DIMENSIONS

Diameter of ducting (mm)	150
--------------------------	-----

Minimum installation height from cooking surface Gas (mm)	650
---	-----

Minimum installation height from cooking surface Electric (mm)	600
--	-----

Cut out width (mm)	762
--------------------	-----

Cut out depth (mm)	257
--------------------	-----

Cut out height (mm)	313
---------------------	-----

FILTERS

Number of filters	3
-------------------	---

Type of filter	multilayer aluminum micromesh filters
----------------	---------------------------------------

Dishwasher safe	Yes
-----------------	-----

DUCTING / RECIRCULATION

Ducting	optional accessory
---------	--------------------

Top or rear duct hole	top
-----------------------	-----

LIGHTS

Number of lights	2
------------------	---

Wattage of light	3.5
------------------	-----

Type of light	LED
---------------	-----

SHIPPING

Shipping Volume (m3)	0.15
----------------------	------

DUCTING / RECIRCULATION

Recirculation option	Yes
Recirculation kit	optional accessory
Front recirculating option	No
Type of filter	Charcoal
Filter	Optional
Number of optional filters required	two
Ducting diameter (mm)	150

STUFFING QUANTITIES

20ft	156
40ft	331
40ft HC	397

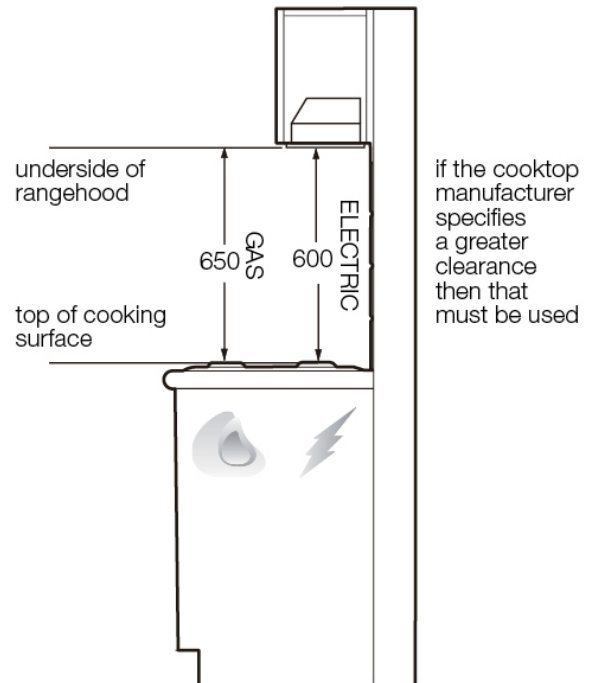
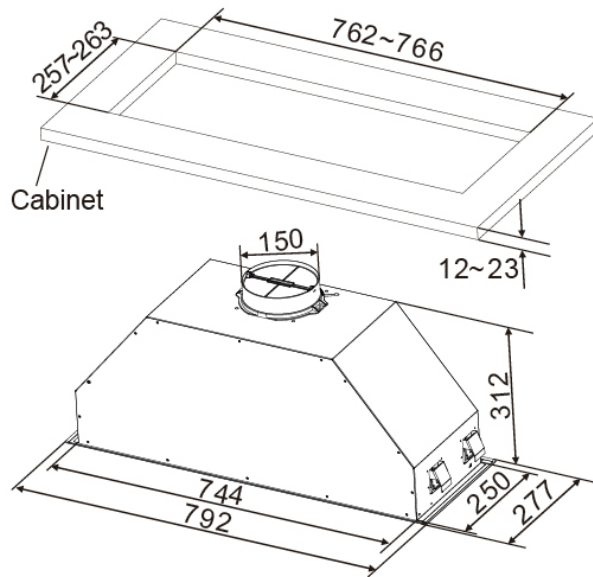
SHIPPING

Pack Dimensions Height (mm)	403
Pack Dimension Width (mm)	855
Pack Dimension Depth (mm)	437

Dimensions

Integrated rangehood

WRI814BB



IMPORTANT

These dimensions are a guide only. All measurements are in millimetres (mm). For complete installation instructions, refer to the manual provided with product.

Terms and Conditions

IMPORTANT

This is a guide of product dimensions only. For complete installation instructions, refer to the manual provided with product.

PRODUCT INFORMATION

The descriptors and illustrations in this publication apply to the specific products and models described as at the date of issue. Under our policy of continuous product development, product specifications may change without notice. Prospective purchasers should therefore check with their retailer to ensure this publication correctly describes the products that are being offered for sale. All information supplied is to be used for general reference purposes only and is on the understanding that Electrolux Home Products Pty Ltd (Australia) and Electrolux (NZ) Ltd (New Zealand) will not be liable for any loss, liability or damage of whatever kind arising as a result of reliance on such information. Colours of products illustrated are as close as printing limitations allow. Electrolux will at all times comply with its obligations pursuant to law including Trade Practices (Australian Consumer Law) Act and Regulations.

WARRANTY

This warranty only applies to Appliances purchased and used in Australia or New Zealand and used in normal domestic applications and is in addition to (and does not exclude, restrict, or modify in any way) any non-excludable statutory warranties in Australia or New Zealand. All warranties are subject to the conditions set out in the warranty card accompanying the product when purchased.

ELECTROLUX HOME PRODUCTS AUSTRALIA

telephone: 1300 363 640

fax: 1800 350 067

email: customercare@electrolux.com.au

web: www.electrolux.com.au

ELECTROLUX HOME PRODUCTS NEW ZEALAND

telephone: 09 573 2230

fax: 09 573 2221

email: customercare@electrolux.co.nz

web: www.electrolux.co.nz