

---

# WPsd 5262

---

Multi-temperature wine fridge  
Vinidor

# LIEBHERR

Freestanding



German  
Engineering



Freestanding

**LIEBHERR**

# WPsd 5262

Multi-temperature wine fridge  
Vinidor



← 60 →



Energy consump. in 365 days/24 h	0.000 kWh <sup>1</sup>
Max. No. of Bordeaux bottles 0.75 Ltr	155 <sup>2</sup>
Total volume	368 l <sup>3</sup>
Climate rating	SN-ST (+10 °C to +38 °C)
Frequency / voltage	50/60 Hz / 220-240 V-
Connection Rating	1.2 A
Door	Glass door with stainless steel frame and SmartSteel
Side walls	silver
Exterior dimensions in cm (h / w / d)	185.4 / 59.7 / 67.5 <sup>3</sup>
<b>Controls</b>	
Type of Control	LC Display monochrom/in der Tür/Touch und Swipe Digital temperature display for both wine zones
Alarm in case of malfunction	visual and acoustic
Door alarm	visual and acoustic
Child proof function	yes
<b>Features</b>	
Temperature zones	2
Temperature range	+5 °C to +20 °C
Adjustable cooling circuits	2
Forced air system	Convection cooling, fresh air supply via FreshAir activated charcoal filter
Interior light	LED zone lighting permanently on, dimmable
Handle	Slimline handle with integrated opening mechanism
Shelf material	Adjustable beech wood shelves
Storage shelves	8
Door hinges	Reversible door hinging, right
Lock	electronic, without remote control
EAN-Nr.	4016803154570

<sup>1</sup> To achieve the indicated energy consumption level, the wall spacers provided with the appliance must be used. These increase the appliance depth by approximately 1.5 cm. If the wall spacers are not used, the appliance will remain fully functional, but will have a slightly higher energy consumption level.

<sup>2</sup> These models are only bound for storing wine. Maximum DIN norm bordeaux bottles capacity (0.75 l) as per norm NF H 35-124 (H: 300.5 mm, Ø 76.1 mm)

<sup>3</sup> In accordance with Regulation EU 2019/2016 we indicate the total volume to the nearest integer (rounded off) and the volume of the frozen compartments and refrigeration compartments to one place after the decimal point.

## Features

---



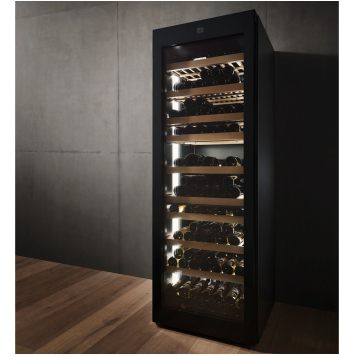
### TempProtect Plus

Double protection. With TempProtect Plus, our wine tempering fridges constantly measure the temperature with two sensors. This gives you double the assurance that your wines are protected from temperature fluctuations. This is because you are alerted as soon as one of the sensors detects a critical change in temperature, allowing you to take action quickly.



### HumiditySelect

Don't let your corks crumble. With HumiditySelect, you can set the humidity on the display of the Vinidor models in two levels: "Standard humidity" and "High humidity". It's so simple, and so good for your wine, because the optimum humidity ensures that the corks stay moist and keep your bottles tightly sealed.



### UVProtect Plus

Triple protection. The wine tempering fridges with glass door offer unprecedented protection from UV radiation: three protective layers consisting of tinted glass and a double layer of vacuum-deposited metal. Known as Low-E coating, it provides highly efficient protection for your wine against harmful solar radiation.



### FreshAir charcoal filter

To ensure that your wine can mature in optimum air quality, all Liebherr wine tempering fridges have an activated charcoal filter that reliably binds odours of all kinds. This means your wine will keep its pure bouquet. To make sure that it stays that way, your Liebherr reminds you every 6 months to change the filter, which you can easily do yourself.



### Presentation lighting

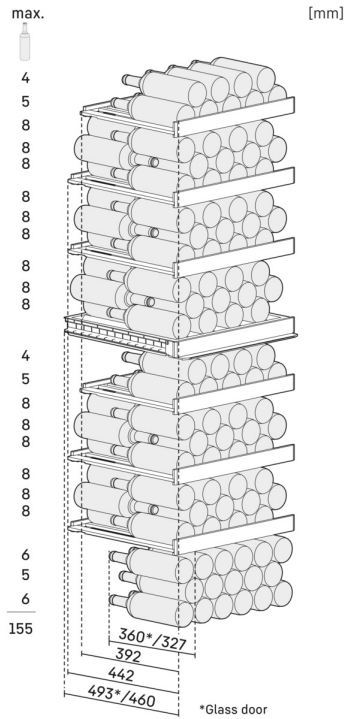
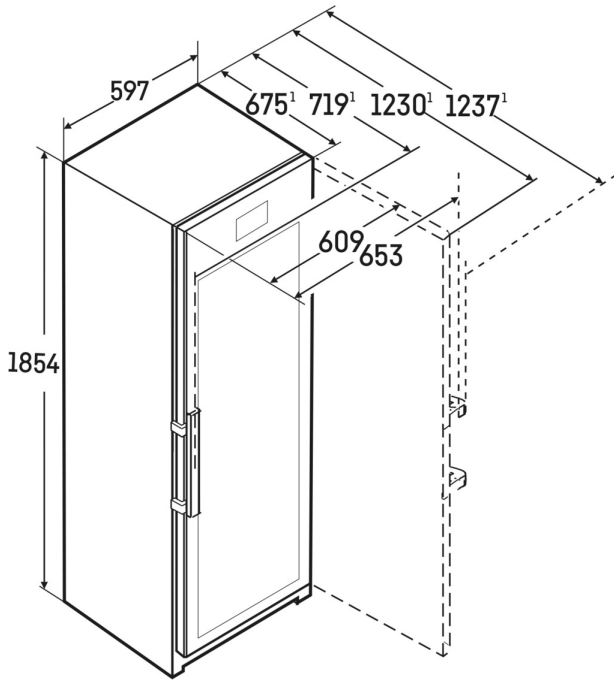
Show off your wine to the best effect with your tempering fridges's presentation light. On units with glass door, the light can stay on even when the door is closed. This way, your wine collection is always something to catch the eye. The brightness of the lighting can be adjusted individually via the display and the SmartDevice app.



### VibrateSafe

Your wine needs peace and quiet. That's why our wine tempering fridges guarantee gentle safekeeping with particularly quiet compressors specially developed by Liebherr and stable wooden shelves made of solid beech wood. This allows your wine to mature quietly and undisturbed.

# Technical drawing



Products and their details are staged for advertising purposes. Whilst every effort is made to ensure all specifications and information in this flyer are accurate, Liebherr reserves the right to make changes without notification. Where actual appliance measurements, specifications, and ratings are crucial, we recommend that the actual appliance installation instructions that accompany each appliance be checked. (03.02.2025)

