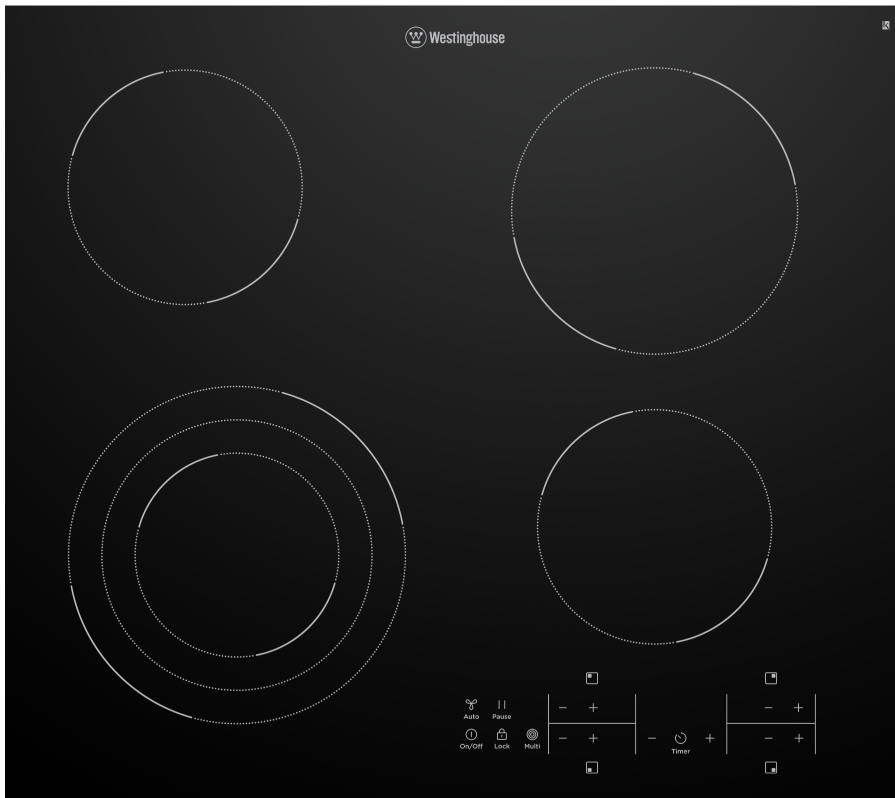


60cm 4 zone ceramic cooktop with Hob2Hood, triple variable zone, touch controls, and Pause function.



Product Details

FEATURES

Hob2Hood

Triple Zone

Touch on glass controls

Pause

QuickCook Timer

2.3kW powerful zone

Residual Heat Indicator

Child safety lock

Easy clean ceramic surface

BENEFITS

Clear the air with Hob2Hood

With Hob2Hood technology, compatible rangehoods work seamlessly with your induction or ceramic cooktop to clear your kitchen of cooking smells and steam. As you start cooking, the rangehood will automatically turn on then intuitively adjust the fan speed and airflow to match your cooking. How's that for hands-free convenience?

Triple zone, for pots of different sizes

Whether you're using your smallest pan or your larger pot there's an extra large cooking zone to handle them all. With the ability to adjust its diameter into three sizes, this unrivalled flexibility gives you the freedom to create your best meals yet.

Easy touch-on glass control

Total control is at your fingertips with a simple touch on the easy-clean glass control panel.

Hold everything with our clever Pause function

We know that family life is full of distractions. That's why you'll appreciate our clever Pause function. Simply touch the Pause icon on your cooktop and all operating induction zones will drop to Keep Warm mode. When you're ready to go again, hit Pause again and settings will return to where you left off.

Timed to perfection

Never over-cook or burn dinner again. Just set the cooking time and your cooktop will automatically turn the heat off for you.

Easy Clean Ceramic Surface

Not only aesthetically pleasing, the full glass ceramic hob with touch controls is easy to use and clean and eliminates dirt traps.

Specifications

PRODUCT PROFILE

Domestic warranty details (yrs)	2
Cooktop type	ceramic
Materials/Colour	black ceramic glass
Removable trim (for cleaning)	No

CONTROLS

Controls of Cooktops	touch
Position of controls	front
Functions of Cooktops	timer,Keep warm function,pause,Hob2Hood
Indicators/display	fault indicator,residual heat warning lamps
Features of Cooktop	safety child lock,hot surface indicator,safety cut off,electronic timer,Hob2Hood
Timer of Cooktop	programmable 99min,countdown

DIMENSIONS

Total product height (mm)	51
Total product width (mm)	590
Total product depth (mm)	520
Cut out width (mm)	560
Cut out depth (mm)	490

ELEMENTS/BURNERS

LEFT FRONT ZONE

Left front zone	ceramic triple
Left front Watts	2300
Left front number of cooking zones	1
Left front diameter mm	210

LEFT REAR ZONE

Left rear zone	ceramic
Left rear watts	1200
Left rear number of cooking zones	1
Left rear diameter mm	140

RIGHT REAR ZONE

Right rear zone	ceramic
Right rear watts	1800
Right rear number of cooking zones	1
Right rear diameter mm	180

SHIPPING

Shipping Volume (m3)	0.044
Shipping Weight (Kg)	8.5
Pack Dimensions Height (mm)	108

RIGHT FRONT ZONE

Right front zone	ceramic
Right front Watts	1200
Right front number of cooking zones	1
Right front diameter mm	140

ELECTRICAL SPECIFICATIONS

Connected load KW	6.5
Type of connection	hardwired

STUFFING QUANTITIES

20ft	540
40ft	1140
40ft HC	1254

SHIPPING

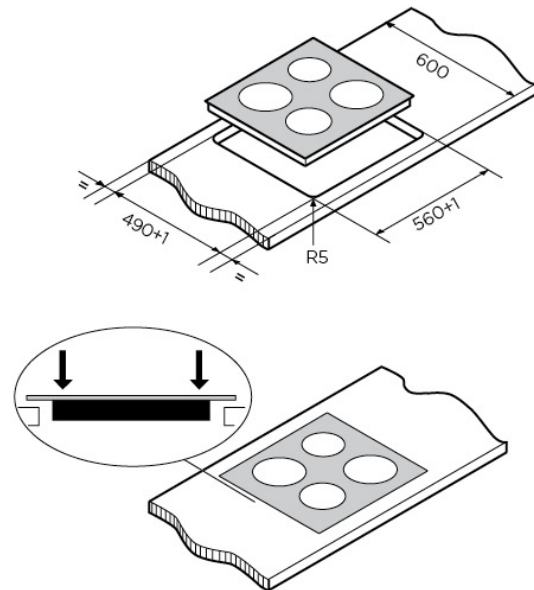
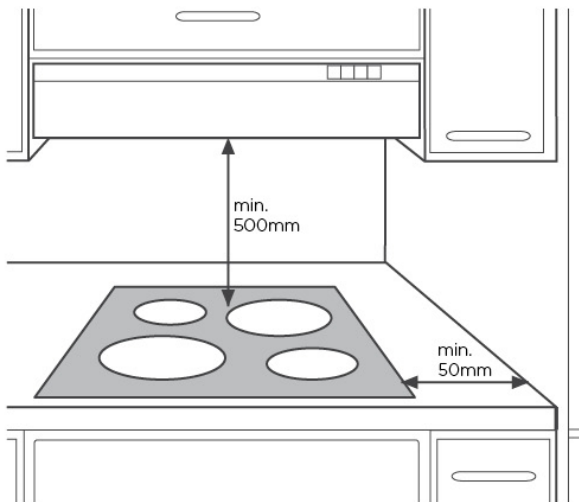
Pack Dimension Width (mm)	680
------------------------------	-----

Pack Dimension Depth (mm)	600
------------------------------	-----

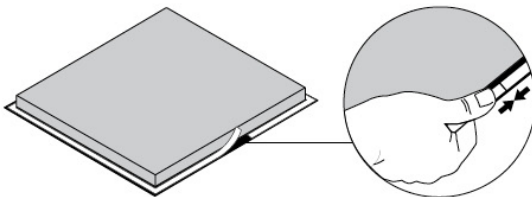
Dimensions

60cm electric cooktops

WHC642BC, WHC642SC, WHC633BD, WHC643BD



NOTE: The clearance must meet or exceed the minimum recommended for both the rangehood and cooktop. Refer to the rangehood installation manual.



 **WARNING**

Surface temperatures of base exceed 95°C, under bench access must be restricted by use of non-combustible barrier on installation

IMPORTANT

These dimensions are a guide only. All measurements are in millimetres (mm). For complete installation instructions, refer to the manual provided with product.

Terms and Conditions

IMPORTANT

This is a guide of product dimensions only. For complete installation instructions, refer to the manual provided with product.

PRODUCT INFORMATION

The descriptors and illustrations in this publication apply to the specific products and models described as at the date of issue. Under our policy of continuous product development, product specifications may change without notice. Prospective purchasers should therefore check with their retailer to ensure this publication correctly describes the products that are being offered for sale. All information supplied is to be used for general reference purposes only and is on the understanding that Electrolux Home Products Pty Ltd (Australia) and Electrolux (NZ) Ltd (New Zealand) will not be liable for any loss, liability or damage of whatever kind arising as a result of reliance on such information. Colours of products illustrated are as close as printing limitations allow. Electrolux will at all times comply with its obligations pursuant to law including Trade Practices (Australian Consumer Law) Act and Regulations.

WARRANTY

This warranty only applies to Appliances purchased and used in Australia or New Zealand and used in normal domestic applications and is in addition to (and does not exclude, restrict, or modify in any way) any non-excludable statutory warranties in Australia or New Zealand. All warranties are subject to the conditions set out in the warranty card accompanying the product when purchased.

ELECTROLUX HOME PRODUCTS AUSTRALIA

telephone: 1300 363 640

fax: 1800 350 067

email: customercare@electrolux.com.au

web: www.electrolux.com.au

ELECTROLUX HOME PRODUCTS NEW ZEALAND

telephone: 09 573 2230

fax: 09 573 2221

email: customercare@electrolux.co.nz

web: www.electrolux.co.nz