

**60cm 4 zone ceramic cooktop with residual heat indicator, 9 power levels and easy clean ceramic surface.**

RRP AUS \$749.00 NZ \$1,679.00



## Product Details

### FEATURES

---

Residual Heat Indicator

Easy clean ceramic surface

9 power levels

2.3kW powerful zone

---

Auto thermal cutout safety  
switch

---

### BENEFITS

---

#### Safety first

Kitchen safety comes before everything else, so our heat indicators show activated hotplates as well as hotplates that are still cooling down.

#### Easy clean ceramic surface

Not only aesthetically pleasing, the durable glass surface is easy to clean and maintain ensuring your kitchen is always looking at its best.

---

## Specifications

### PRODUCT PROFILE

---

Domestic warranty details (yrs)	2
Cooktop type	ceramic
Materials/Colour	black ceramic glass
Knob Finish	black

### CONTROLS

---

Controls of Cooktops	knob
Position of controls	right hand side
Indicators/display	residual heat warning lamps
Features of Cooktop	hot surface indicator
Readable temperature setting	No

### LEFT REAR ZONE

---

### DIMENSIONS

---

Total product height (mm)	46
Total product width (mm)	590
Total product depth (mm)	520
Cut out width (mm)	560
Cut out depth (mm)	490

### ELEMENTS/BURNERS

---

#### LEFT FRONT ZONE

---

Left front zone	ceramic
Left front Watts	2300
Left front number of cooking zones	1

#### RIGHT FRONT ZONE

---

Left rear zone	ceramic
Left rear watts	1200
Left rear number of cooking zones	1
Left rear diameter mm	140

Right front zone	ceramic
Right front Watts	1200
Right front number of cooking zones	1
Right front diameter mm	140

### RIGHT REAR ZONE

Right rear zone	ceramic
Right rear watts	1800
Right rear number of cooking zones	1
Right rear diameter mm	180

### ELECTRICAL SPECIFICATIONS

Connected load KW	6.5
Type of connection	hardwired

### SHIPPING

Shipping Weight (Kg)	9
Pack Dimensions Height (mm)	108
Pack Dimension Width (mm)	680
Pack Dimension Depth (mm)	600

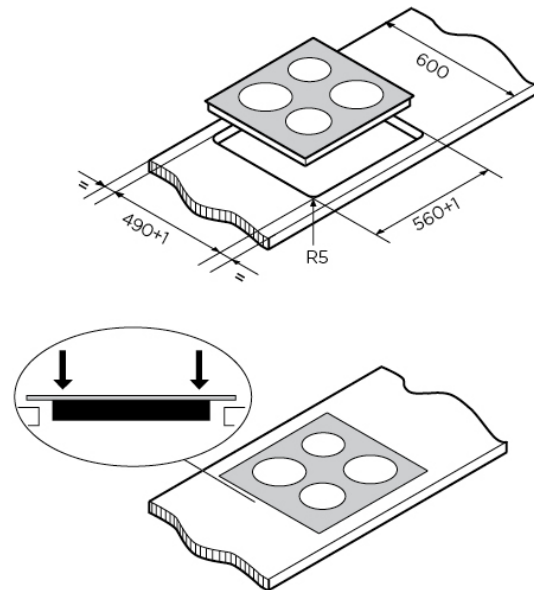
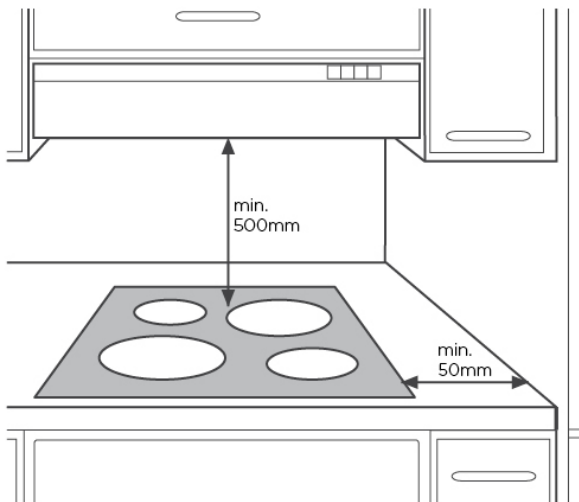
### STUFFING QUANTITIES

20ft	540
40ft	1140
40ft HC	1254

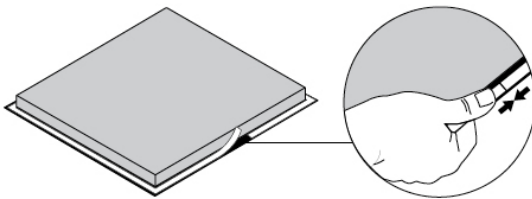
# Dimensions

## 60cm electric cooktops

WHC642BC, WHC642SC, WHC633BC, WHC643BC



*NOTE: The clearance must meet or exceed the minimum recommended for both the rangehood and cooktop. Refer to the rangehood installation manual.*



**⚠ WARNING**

Surface temperatures of base exceed 95°C, under bench access must be restricted by use of non-combustible barrier on installation

**IMPORTANT**

These dimensions are a guide only. All measurements are in millimetres (mm). For complete installation instructions, refer to the manual provided with product.

# Terms and Conditions

## IMPORTANT

This is a guide of product dimensions only. For complete installation instructions, refer to the manual provided with product.

## PRODUCT INFORMATION

The descriptors and illustrations in this publication apply to the specific products and models described as at the date of issue. Under our policy of continuous product development, product specifications may change without notice. Prospective purchasers should therefore check with their retailer to ensure this publication correctly describes the products that are being offered for sale. All information supplied is to be used for general reference purposes only and is on the understanding that Electrolux Home Products Pty Ltd (Australia) and Electrolux (NZ) Ltd (New Zealand) will not be liable for any loss, liability or damage of whatever kind arising as a result of reliance on such information. Colours of products illustrated are as close as printing limitations allow. Electrolux will at all times comply with its obligations pursuant to law including Trade Practices (Australian Consumer Law) Act and Regulations.

## WARRANTY

This warranty only applies to Appliances purchased and used in Australia or New Zealand and used in normal domestic applications and is in addition to (and does not exclude, restrict, or modify in any way) any non-excludable statutory warranties in Australia or New Zealand. All warranties are subject to the conditions set out in the warranty card accompanying the product when purchased.

### ELECTROLUX HOME PRODUCTS AUSTRALIA

telephone: 1300 363 640

fax: 1800 350 067

email: [customercare@electrolux.com.au](mailto:customercare@electrolux.com.au)

web: [www.electrolux.com.au](http://www.electrolux.com.au)

### ELECTROLUX HOME PRODUCTS NEW ZEALAND

telephone: 09 573 2230

fax: 09 573 2221

email: [customercare@electrolux.co.nz](mailto:customercare@electrolux.co.nz)

web: [www.electrolux.co.nz](http://www.electrolux.co.nz)