

**Series 6, washing machine, front loader, 9 kg, 1400 rpm  
WGG244A9AU**



- **i-DOS:** automatically measures the precise amount of detergent and water needed.
- **Automatic program:** adjust the wash for the fabric type and degree of soiling.
- **AntiStain:** reliably removes 4 common stains.
- **Active Water Plus:** For highly efficient use of water even with smaller loads thanks to automatic load detection.
- **Reload function:** forgot an item? Add it easily to the wash.

Maximum capacity in kg : ..... 9.0 kg  
 Built-in / Free-standing: ..... Free-standing  
 Dimensions of the product: ..... 848 x 598 x 590 mm  
 Net weight: ..... 74.5 kg  
 Connection rating: ..... 2300 W  
 Fuse protection: ..... 10 A  
 Voltage: ..... 220-240 V  
 Frequency: ..... 50-60 Hz  
 Length electrical supply cord: ..... 160.0 cm  
 Door hinge: ..... Left  
 Wheels: ..... No  
 EAN code: ..... 4242005357499  
 Installation typology: ..... Free-standing



- WMZ2200 Floor securing component  
 WMZ2381 Extension for cold water inlet /Aquastop  
 WMZPW20W Platform with pull-out, washer, cubic

## Series 6, washing machine, front loader, 9 kg, 1400 rpm WGG244A9AU

### Capacity

- Capacity: 9 kg

### Consumption rates

- 5 Star Energy Rating
- Energy consumption 215 kWh per year based on Cottons Eco program at 60°C, with 1400 RPM spin speed, seven times per week. When tested in accordance with AS/NZS 2040.2. Actual energy consumption will depend on how the appliance is used.
- 4.5 Star water rating (WELS)
- Water consumption 78 l litres per wash. Using the Cottons Eco program at 60°C with 1400 RPM spin speed. In accordance with AS/NZS 6400. Actual water consumption will depend on how the appliance is used. C02280.

### Programs

- Standard programs:
  - Cottons: hard-wearing items made from cotton, linen or blended fabrics Cotton Eco: energy-saving program Easy care: items made from synthetic or blended fabrics Delicate/Silk: delicate, washable items made from silk, viscose and synthetics Wool: hand or machine washable items that are made from wool or contain wool
- Additional specialty programs:
  - AllergyPlus/Hygienic: suits items that need to be hygienically clean such as towels, bed sheets or pillow cases
  - Automatic 30°C: gentle laundry care for delicate items, the degree of soiling and the type of fabric are automatically detected and the washing process is adapted Drum Clean: cleaning and care program for the drum with reminder function Shirts/Blouses: non-iron shirts and blouses made from cotton, linen, or blended fabrics Spin/Drain: spins and drains the water Mixed: lightly soiled items made from cotton, linen or blended fabrics Sportswear: sports and leisure items made from synthetic fibres, microfibre or fleece Rinse: rinses and then spins the laundry, and then drains the water Super 15'/30': short program for small lightly soiled items

### Performance

- Spin speed 400 - 1400 rpm
- TouchControl buttons include:
  - Easy Iron: reduces creasing thanks to a special spin sequence
  - Prewash options for stubborn stains and heavily soiled garments Finish in (delayed start): delay the start of the program by up to 24 hours Spin Speed: manually adjust the spin speed AntiStain: Selection options of Grass, Red Wine, Oil/Butter and Blood Start/Pause with Reload function: allows you to add a forgotten garment even after the wash cycle has started Temperature selection: manually adjust the temperature SpeedPerfect: reduce cleaning time by up to 65%

### Features

- i-DOS: automatic dosing of liquid detergent and softener
- i-DOS automatic dosing system uses special sensors to determine the laundry's weight and type of textiles to dispense liquid detergents and fabric softener with maximum precision.
- ActiveWater Plus: for highly efficient use of water even with small loads thanks to automatic load detection.
- SpeedPerfect: perfectly clean in up to 65% less time.
- Reload function to pause machine operation for adding in last minute laundry items

- Drum Clean reminder function: the LED indicator will flash when a drum clean is required
- Aqua Protection Plus anti-flood protection with self-sealing hose, minimises the risk of flooding
- Unbalanced load detection
- Foam detection system to remove excessive foam

### Design

- Large LED display for program status, temperature, spin speed, and time remaining
- VarioDrum: thorough yet gentle washing thanks to the unique drum structure design
- soft dial
- AntiVibration Side Panels reduce vibrations and noise levels, making it extremely quiet during the spin cycle
- Turbidity sensor
- Large porthole, silver-black grey with 165° door for easy loading/unloading
- EcoSilence Drive: quiet, durable, and energy-efficient brushless motor (BLDC) with 10-year motor warranty

### Technical Information

- Slide-under height of 85cm
- Dimensions (H x W x D): 84.8 cm x 59.8 cm x 59.0 cm (63.6 cm including door handle)
- Operating noise level (based on Cotton 60°C program): wash 48 / spin 75 dB(A)

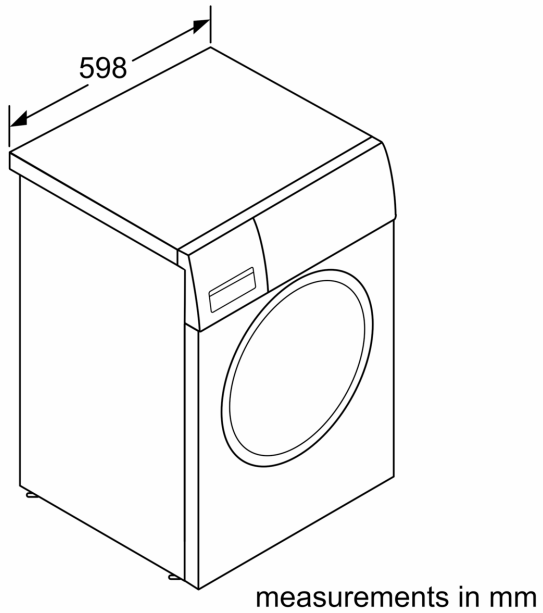
### Display Screen & Alerts

- Consumption Indication: Information about energy consumption
- Buzzer at the end of the programme

### Safety

- Child lock for door and buttons
- Operating noise level (based on Cotton 60°C program): wash 48 / 75 spin dB(A)

**Series 6, washing machine, front loader, 9 kg, 1400 rpm  
WGG244A9AU**



Measurements in mm

