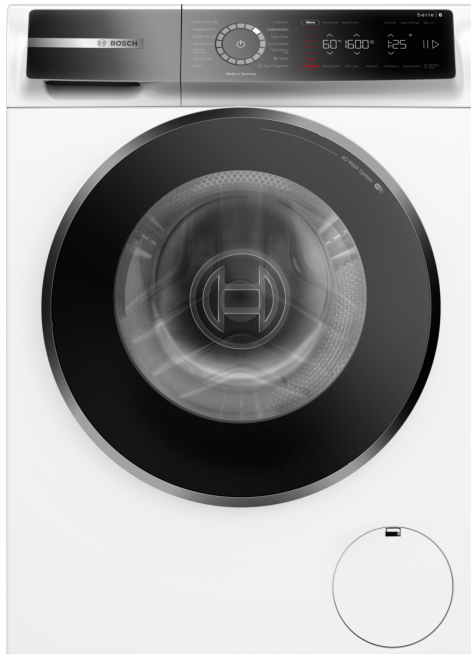


**Series 8, washing machine, front loader, 10 kg, 1600 rpm  
WGB25600AU**



**An advanced washing machine with ActiveWater Plus which saves up to 50% water and reduces your ironing pile with Iron Assist.**

- **10kg Vario Drum:** enough space for big loads or large items
- **Iron Assist:** reduce wrinkles up to 50%.
- **Mini Load – Single item programme.**
- **Active Water Plus:** For highly efficient use of water even with smaller loads thanks to automatic load detection.
- **4D Wash System:** highly efficient water and detergent penetration for spotless results.

---

Maximum capacity in kg : ..... 10.0 kg  
 Built-in / Free-standing: ..... Free-standing  
 Dimensions of the product: ..... 845x598x590 mm  
 Net weight: ..... 82.8 kg  
 Connection rating: ..... 2300 W  
 Fuse protection: ..... 10 A  
 Voltage: ..... 220-240 V  
 Frequency: ..... 50 Hz  
 Length electrical supply cord: ..... 160.0 cm  
 Door hinge: ..... Left  
 Wheels: ..... No  
 EAN code: ..... 4242005414789  
 Installation typology: ..... Free-standing

---



- 
- WMZ2200 Floor securing component
  - WMZ2381 Extension for cold water inlet /Aquastop
  - WMZPW20W Platform with pull-out, washer, cubic

## Series 8, washing machine, front loader, 10 kg, 1600 rpm WGB25600AU

### An advanced washing machine with ActiveWater Plus which saves up to 50% water and reduces your ironing pile with Iron Assist.

#### Capacity

- Capacity: 10 kg

#### Consumption rates

- 5 Star Energy Rating
- Energy consumption 250 kWh per year, based on Cottons Eco, 60°C, program at 1600 RPM seven times per week. When tested in accordance with AS/NZS 2040.2. Actual energy use and running costs will depend on how you use the appliance.
- 5 Star Water rating (WELS)
- Water consumption 75 l litres per wash, using the Cottons Eco, 60°C, program at 1600 RPM. In accordance with AS/NZS 6400. Actual water consumption will depend on how the appliance is used. C02320.

#### Design

##### Programs

- Iron Assist: Steam programme that reduces wrinkles on dry clothes
- Stain automatic - 6 stains at the touch of a button, 10 further stains via Home Connect
- programmes via app: Down, Curtains, Towels, Shirts
- Standard programs:
  - Cottons: hard-wearing items made from cotton, linen or blended fabrics Cotton Eco: energy-saving program Easy care: items made from synthetic or blended fabrics Delicate/Silk: delicate, washable items made from silk, viscose and synthetics Wool: hand or machine washable items that are made from wool or contain wool
- TouchControl buttons include:
  - child lock
- Intensive Plus: extend the program by up to 30 minutes, for heavily soiled items night wash Prewash options for stubborn stains and heavily soiled garments Finish in (delayed start): delay the start of the program by up to 24 hours Single item Spin Speed: manually adjust the spin speed AntiStain: Selection options of Grass, Red Wine, Oil/Butter and Blood Start/Pause with Reload function: allows you to add a forgotten garment even after the wash cycle has started Temperature selection: manually adjust the temperature SpeedPerfect: reduce cleaning time by up to 65% Rinse Plus
- Additional specialty programs:
  - App
  - Iron Assist - with added steam for wrinkle reduction Hygiene Plus Jeans/dark laundry Spin/Drain: spins and drains the water Mixed: lightly soiled items made from cotton, linen or blended fabrics Sportswear: sports and leisure items made from synthetic fibres, microfibre or fleece Rinse: rinses and then spins the laundry, and then drains the water Super 15'/30': short program for small lightly soiled items

#### Performance

- Spin speed 400 - 1600 rpm
- Operating noise level (based on Cotton 60°C program): wash 46 /

75 spin dB(A)

#### Features

- Home Connect: Remote Monitoring and Control, Energy Management, Remote Diagnostics, further programmes via download. Always keep your appliance up to date via firmware update.
- ActiveWater Plus: for highly efficient use of water even with small loads thanks to automatic load detection.
- 4D Wash System: highly efficient and even water and detergent penetration for spotless results
- Hygiene Plus: clean laundry and killing germs effectively
- Mini Load: Wash single items and small loads efficiently
- Reload function to pause machine operation for adding in last minute laundry items
- Automatic load detection
- Elegant and ergonomically inclined control panel for easy use
- LED interior drum light bathes the inside of the drum in a brilliant white light when opened
- VarioDrum: thorough yet gentle washing thanks to the unique drum structure design
- Large porthole, black-chrome, black with 182° door for easy loading/unloading
- EcoSilence Drive: quiet, durable, and energy-efficient brushless motor (BLDC) with 10-year motor warranty
- AntiVibration Side Panels reduce vibrations and noise levels, making it extremely quiet during the spin cycle
- Aqua Protection Plus anti-flood protection with self-sealing hose, minimises the risk of flooding
- Self cleaning detergent drawer to remove detergent residue, From front
- Overdosage indication
- Foam detection system to remove excessive foam
- Unbalanced load detection
- Buzzer at the end of the programme

#### Technical Information

- Slide-under height of 85cm
- Dimensions (H x W x D): 84.5 cm x 59.8 cm x 59.0 cm (64.8 cm including door handle)

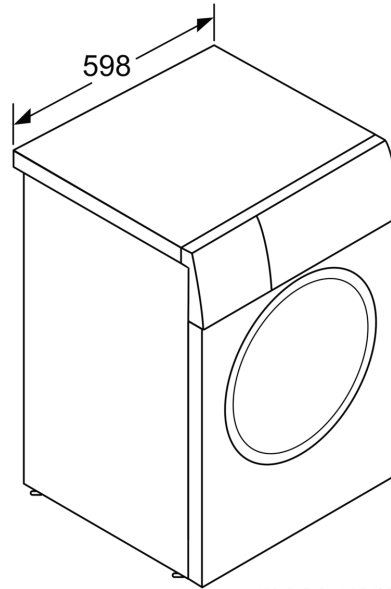
#### Display Screen & Alerts

##### Safety

- Child lock for door and buttons
- Consumption Indication: Information about energy consumption
- Operating noise level (based on Cotton 60°C program): wash 46 / spin 75 dB(A)
- Noise level spinning at standard 60°C cotton programme at full loading in dB (A) re 1 pW: 75

**Series 8, washing machine, front  
loader, 10 kg, 1600 rpm  
WGB25600AU**

Measurements in mm



measurements in mm