

Combi Front Loader Washer Dryer, 8.5kg + 5kg

Series 7 | Combination

White

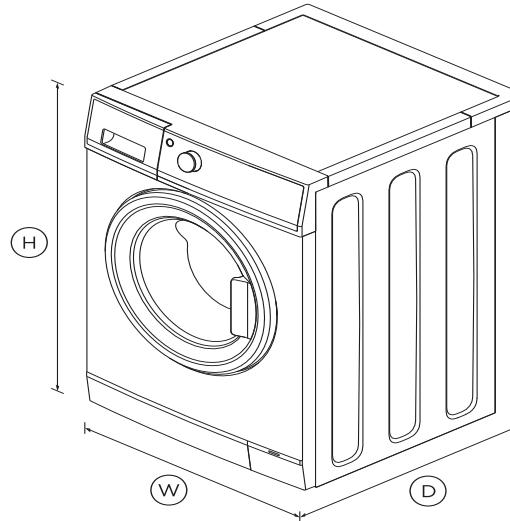


A complete laundry solution for when you need to maximise space while washing and drying your clothes with superior fabric care.

- With 10 continuous wash and dry cycles including Delicate and Quick wash, 10 wash only cycles and 9 dry only cycles
- 8.5kg wash load and 5kg dry load
- Easy installation with no venting required
- Wash and dry an average load in under three hours

DIMENSIONS

Height	850 mm
Width	600 mm
Depth	645 mm



FEATURES & BENEFITS

Two in one convenience

This 60cm model fits into a standard space and does the work of a washer and dryer combined - offering a complete laundry solution.

Complete fabric care

Designed to care for every type of fabric with specialised cycles. The option of low-temperature drying helps prevent fabric damage, and a reverse-tumble drying action minimises tangling.

Add a Garment

Add a Garment allows you to pause your wash cycle, add or remove an item, then carry on washing.

Hot spin technology

Hot spin technology reduces moisture content to speed up the drying process - saving time and energy.

Quick cycle times

Wash and dry an average load in three hours or less.

Easy installation

All that's required is a cold water inlet, a drain and power - no venting required.

SPECIFICATIONS

Capacity

Capacity	8.5/5kg
----------	----------------

Consumption

Energy rating	3.5 stars (Dry cycle)
Energy star rating	4 stars (Wash cycle)
Water star rating	5 stars
Water usage (per dry cycle)	34L
Water usage (per wash cycle)	61L

Continuous Wash & Dry Cycles

Allergy	•
Cottons	•
Delicate	•
Everyday	•
Heavy	•
Quick Wash	•
Rinse	•

Spin	•	Continuous wash and dry	10
Synthetics	•	Dry only cycles	9
Towels	•	Maximum spin speed	1400rpm
<hr/>		Number of spin speeds	5
Features		SmartDrive™ technology	•
Add a garment (immediate)	•	Vortex™ Wash	•
Anti-fungal door gasket	•	Wash only cycles	10
Auto out of balance correction	•	<hr/>	
Auto-Lint disposal	•	Product dimensions	
Cold water inlet	•	Depth	645 mm
Controlled cold	•	Height	850 mm
Customise cycle	•	Width	600 mm
Delay start	•	<hr/>	
Detergent dispenser	•	Warranty	
Dry temperatures	2	Parts and labour	2 years
Dryness levels	3	Parts only direct drive motor	10 years
Eco	•	<hr/>	
Fabric softener dispenser	•	Wash Cycles	
Flood protection	•	Allergy	•
Interior light	•	Cottons	•
Keylock	•	Delicate	•
Pre Wash	•	Everyday	•
Rinse +	•	Heavy	•
SmartTouch™ control dial	•	Quick Wash 30	•
Spin speeds	No Spin, 500, 800, 1100, 1400	Rinse	•
Stainless steel drum bowl	•	Spin	•
Water temperature controls	5	Synthetic	•
Wrinkle Free	•	Towels	•
<hr/>		<hr/>	

SKU 93235

TEST The product dimensions and specifications in this page apply to the specific product and model. Under our policy of continuous improvement, these dimensions and specifications may change at any time. You should therefore check with Fisher & Paykel's Customer Care Centre to ensure this page correctly describes the model currently available. © Fisher & Paykel Appliances Ltd 2020

Performance

Other product downloads available at fisherpaykel.com



User Guide



Service & Warranty Booklet



Installation Guide



Installation Guide (Cavity Sizes)



A PEACE OF MIND SALE

24 Hours 7 Days a Week Customer Support

T 1300 650 590 **W**www.fisherpaykel.com