

**Serie | 8, washing machine, front loader, 10 kg, 1600 rpm
WAX32M41AU**



The Serie|8 washer with 4 AntiStain programmes and 4D Wash System with Intensive Plus provides spotless results even with the most challenging loads.

- AntiStain system automatically adjusts water temp. and spin speed to effectively remove common stains
- **4D Wash System:** highly efficient water and detergent fabric penetration for spotless results.
- EcoSilence Drive™ motor that's powerful and durable yet quieter than a normal conversation
- **SpeedPerfect™:** high performance programme which reduces wash cycle duration by up to 65%
- VarioDrum's breakthrough wave-droplet design provides a thorough yet gentle clean for fine textiles

Technical Data

Built-in / Free-standing :	Free-standing
Height of removable worktop (mm) :	850
Dimensions of the product (mm) :	848 x 598 x 590
Net weight (kg) :	82.958
Connection Rating (W) :	2300
Current (A) :	10
Voltage (V) :	220-240
Frequency (Hz) :	50
Approval certificates :	Australia Standards, CE, VDE
Length electrical supply cord (cm) :	160
Washing performance class :	A
Total annual energy consumption (kWh) :	250.0
Water consumption (l) :	72
Door hinge :	Left
Wheels :	No
EAN code :	4242005221011
Capacity cotton (kg) - NEW (2010/30/EC) :	10.0
Energy consumption (kWh) :	0.69
Spin drying performance class :	A
Maximum spin speed (rpm) :	1600
Noise level washing (dB(A) re 1 pW) :	48
Noise level spinning (dB(A) re 1 pW) :	74
Installation typology :	Freestanding



4 242005 221011

Serie | 8, washing machine, front loader, 10 kg, 1600 rpm WAX32M41AU

The Serie|8 washer with 4 AntiStain programmes and 4D Wash System with Intensive Plus provides spotless results even with the most challenging loads.

Capacity

- Capacity: 10 kg

Consumption rates

- 5 Water Stars (WELS)
- 72 l water consumption per wash and 250 kWh Energy consumption p.a. on Cotton 60C EcoPerfect 1600 r/min

Programmes

- Standard programs: Cottons, Easy care, Delicate/Silk, Wool / Hand wash
- Programs: Spin / Drain, Silent/Night Wash, AllergyPlus/ Hygienic, Drum Clean with reminder, Shirts, Mixed Fabrics, Sportswear, Rinse/Freshen up, Super 15'/30'
- Quilt program with higher water levels and longer rinsing duration
- DrumClean with reminder function

Performance

- Maximum spin speed: 1600 (rpm)
- Automatic stain removal system with 4 stain options - activatable with standard programmes
- Touch control buttons: Easy Iron, On/Off, Ready in, stain selection, Intensive Plus, Rinse Plus, Start/Pause with Reload function, Temperature Selection, varioSpeed / SpeedPerfect, Prewash, Spin speed adjust/Rinse hold
- 4D Wash System: high efficient water and detergent fabric penetration for spotless results.
- VarioDrum's breakthrough wave-droplet design provides a thorough yet gentle clean for fine textiles
- ActiveWater™ Plus: resource efficient water management system

Design

- Large LED-Display for programme status indication, temperature selection, max. spin speed, remaining time and 24 h end time delay, stain selection, energy/water consumption indication and load recommendation display
- AntiVibration Side Panels reduce vibrations and noise levels, making it extremely quiet during the spin cycle

Convenience

- LED drum interior light
- Large 32 cm porthole, chrome, blackgrey with 171° door for easy loading/unloading
- Eco Silence Drive motor : more energy efficient, durable and quiet
- Displays recommended and actual load weight
- Automatic load detection for precise detection of loaded laundry to adjust automatically the amount of water is needed in every wash.
- Night wash program with lower noise suitable for washing during the night or when an extra silent wash is required
- Flow-through sensor
- Reload function to pause machine operation for adding forgotten laundry items
- Consumption Indication: Information about energy and water consumption for program selected
- Illuminated control dial with integrated On-/Off mode
- Self-cleaning detergent drawer to remove detergent residue
- Automatic load detection

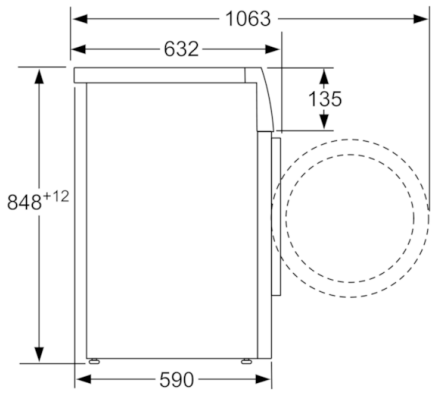
Safety

- Child-proof lock
- Advanced AquaSecure™ self-sealing hose to minimise risk of flooding

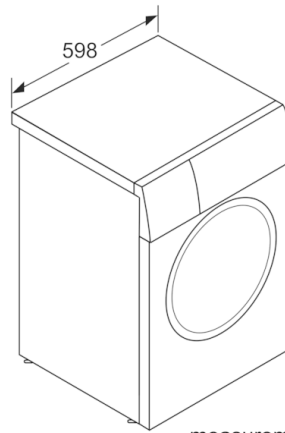
Technical Information

- Dimensions (H x W x D): 84.8 cm x 59.8 cm x 59.0 cm (63.2 cm including door handle)

**Serie | 8, washing machine, front loader, 10
kg, 1600 rpm
WAX32M41AU**



measurements in mm



measurements in mm