



## Steel Seal™ Washing machine

W7956XLW.AU

**Style+**

**Series 7**

**Loading capacity: 9.5 kg**

**1600 rpm**

**Number of programmes: 28**

**Pro Wash System - Perfect rinsing and washing also for bigger loads**

**Installation: Freestanding**

**Energy stars: 5**

### Programs

- Basic washing programs: Jeans, Wool / Hand wash, Mix/synthetic, Time program, Quick white/colour, Normal, White laundry, Colored laundry, Outerwear, Shirts / Blouses, Beddings / Towels, Down, Waterproofing
- Special washing programs: Quick Pro, SportWash, Allergy program Synthetics, Stain program, Allergy program Cotton, Steam refresh
- Special functions: Rinse, Drain, Spin, Drum cleaning
- Wi-Fi washing programs: Swimwear, Underwear, Soft toys, Textile trainers, Baby clothes
- Modes: Night - Reduce noise by lowering movement of the drum, add longer time to ensure a clean laundry., Intensive mode - Improved cleaning with more water and energy. Temperature is kept at high level for longer, Speed mode - More water and energy used to ensure a clean laundry in shorter time, Green - Saves water and energy. Program time slightly longer, Normal - No changes to the program

### Additional options

- Temperature range: Cold - 90°C
- Spin speed setting: Adjustable
- Max spin speed: 1600 rpm
- Delayed start: Up to 24 hours
- Settings: Prewash, No spin, High water level, Super rinse, Air shower, Small load option, Steam disinfection, Auto rinse, Delayed Start, Add clothes

### Construction and performance

- Door sealing: Steel Seal™ - Hygienic sealing without rubber bellow
- Quattro Construction™ : Yes, 2.0 Professional suspension with motorized door lock to minimize noise and vibrations
- Outer drum: Stainless Steel
- Inner drum: Stainless Steel
- Counter weight material: Cast iron
- Counterweight: 17 kg
- Active Drum™ - Ensure a gentle yet effective washing cycle: Yes
- Max +/- 1°C temperature variation: Yes
- Drum size: 68 l
- Door hinge placement: Left
- Door opening diameter: 310 mm
- Door maximum opening angle: 110 °
- Motor: Long life and quiet brushless motor
- Shortest program time: 20 min
- Soaking system: Pro Wash System - Perfect rinsing and washing also for bigger loads

### Use and flexibility

- Easy Close door: Yes
- Easy door opening: Yes
- Door lock: Motorized
- Stop flap for Liquid detergent: Yes, possible to use both liquid and powder detergent
- Automatic detergent drawer cleaning: Time remaining indicator
- Load Light™ - Illumination of the drum: Yes
- Automatic dosing system: Yes, with detergent and fabric conditioner
- Dose assist: Yes
- Wifi: Yes

- ConnectLife: Monitoring and control in the palm of your hand: ConnectLife
- Bluetooth: Yes
- Included accessory: Water hardness test stick, Discharge hose bow, Adapter for water connection 1/2

#### **Interaction and control**

- Remaining time indication: Yes
- Type of display: TFT - Full colour touch display (possible to interact with jog dial as well)
- Transparent door cover/Double glass door: No
- Number of programmes: 28
- Create own program: Yes
- Language settings: Swedish, Slovenian, Slovak, Russian, Polish, Norwegian, Dutch, Latvian, Lithuanian, Japanese, Italian, Croatian, French, Finnish, Estonian, Spanish, English, German, Danish, Czech, US English, Ukrainian, Serbian, Portuguese, AU English

#### **Design and integration**

- Main colour of product: White
- Easy mounting of ASKO dryer on top of the washers: Yes
- Loading type: Front load
- Adjustable feet: 10 mm

#### **Safety and maintenance**

- Waterproof bottom plate with leakage detection: Yes
- Maximized water inlet time: Yes
- Aqua safe system: Yes, with bottom sensor
- Water inlet hose: Aqua stop, shuts off water if it leaks
- Drain system: Anti Block™ - Self-cleaning drain pump
- Overflow protection: Yes
- Emergency door opening function: Yes
- Child lock on display: Yes
- Unbalance detection - Protects the washer against harmful vibrations: Yes
- Draining capacity: 20 l/min
- Overheat protection: For motor and electronics

#### **Technical data**

- Loading capacity: 9.5 kg
- Plug type: AU plug
- Connected load: 2200 W
- Voltage (V): 220-240 V
- Number of phases: 1
- Fuse: 10 A
- Frequency: 50 Hz
- Heater power: 2000 W
- Net weight: 94.3 kg
- Energy stars: 5
- Water stars: 5
- Water connection: Size 3/4 - Can be connected to hot or cold water"
- ISO 14001 certified manufacturing: Yes

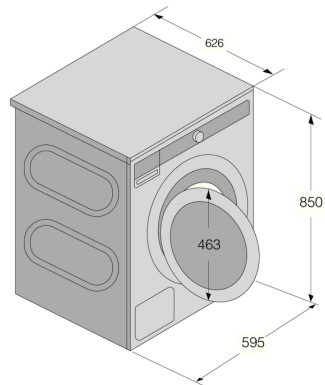
#### **Dimensions**

- Width: 595 mm
- Height: 850 mm
- Depth: 626 mm
- Depth with door open: 1068 mm
- Length of electrical cord: 2100 mm
- Length inlet hose: 150 cm
- Length outlet hose: 160 cm

#### **Logistic information**

- Packaging width: 636 mm
- Packaging height: 920 mm
- Packaging depth: 712 mm
- Gross weight: 97.601 kg

- Weight of packaging: 3.3 kg
- Product code: 746223
- EAN code: 3838782994173



WM7668 lineCold and warm water inlet

