

**UNDERBENCH WINE CELLAR**

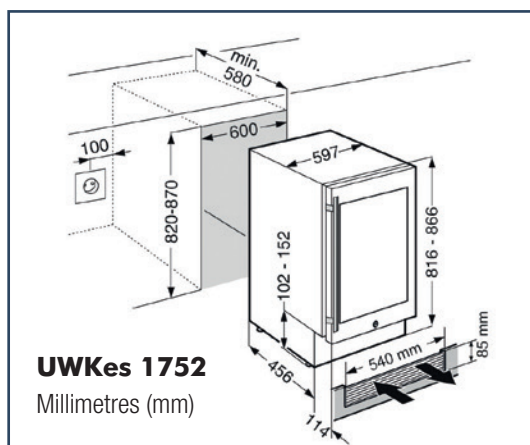
**UWKes 1752**



**LIEBHERR**

Quality, Design and Innovation

# LIEBHERR SINGLE ZONE UNDERBENCH WINE CELLAR UWKes 1752



Built-in

3 Year  
Warranty

| Model  | UWKes 1752       |
|--|------------------|
| Type   Category                                | BI UB   GrandCru |
| Finish   | Stainless Steel  |
| °Energy consumption (kWh/yr)   24hr            | °145   0.396     |
| △Bottle capacity (750ml Bordeaux)              | 46               |
| Safety glass door                              | •                |
| MagicEye control system   Display              | •   LED          |
| Digital temperature display                    | Internal         |
| Tinted glazed door                             | Double           |
| Temperature zones                              | 1                |
| Temperature range (°C) Min   Max °C            | 5   20           |
| Suitable for ambient temperature Min Max°C     | 10   38          |
| Interior light                                 | LED              |
| Hand crafted beech wood shelves                | 3                |
| Shelves mounted on telescopic rails            | •                |
| Base shelves                                   | 1                |
| Recirculated air cooling                       | •                |
| Fresh air supply via activated charcoal filter | 1                |
| Child proof lock (control panel)               | •                |
| SlimLine handle                                | •                |
| Reversible door hinges                         | •                |
| Key lock                                       | •                |
| Label holders                                  | •                |
| Compressors                                    | 1                |
| Door open warning signal                       | •                |
| Temperature alarm                              | •                |
| Malfunction warning signal                     | •                |
| Ventilation switch                             | •                |
| Adjustable height by 50mm                      | •                |
| Automatic defrosting                           | •                |
| Ventilation switch                             | •                |

## Technical Information

|                                     |               |
|-------------------------------------|---------------|
| Default hinge                       | Right         |
| Gross weight (kg)   Net weight (kg) | 54   45       |
| Height (mm)                         | 820 - 870     |
| Width (mm)                          | 600           |
| Depth (mm)                          | 580           |
| Voltage (V)   Rated Current (A)     | 220-240   0.8 |
| Made In                             | Austria       |

KEY: UB = Underbench, BI = Built-In, ° = Measurements taken at +25°C ambient and +12°C interior temperature tested by Liebherr Germany (not to Australian standards), △ = Based on Bordeaux 750ml bottle - capacity may vary depending on bottle shape and size. Door hinging either right or left hand must be nominated for this model.

Whilst every effort is made to ensure all specifications and information in this flyer are correct at time of printing, Andi-Co Australia Pty. Ltd. reserve the right to make changes without notification. Where actual appliance measurements, specifications and ratings are crucial, we recommend that the actual appliance installation instructions that accompany each appliance be checked. Andi-Co Australia will not be liable for any loss.