

800mm UNDERMOUNT 'UPDRAFT' RANGEHOOD with TELESCOPIC FILTER

UPDRAFT

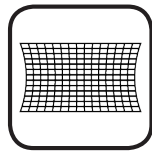
valentina
collection |  **Sirius**



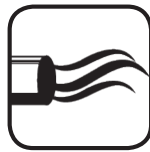
Rangehood type	Undermount updraft
Control	Touch control
Speed settings	4
Ducting diameter	150mm
Extraction type	Onboard motor
Motor	Single aluminium motor
Filter	Aluminium filter
Lighting	LED Light strip
Induction Countdown Control	Yes
Electrical requirement	10A
Dimensions (mm)	W800 x D290 x H424-604
Cut-out dimensions (mm)	W778 x D267
Warranty	3 years (6 years when Sirius ducting is used)



**SINGLE
MOTOR**



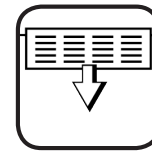
**ALUMINIUM
FILTERS**



**1020m³/h
AIRFLOW**



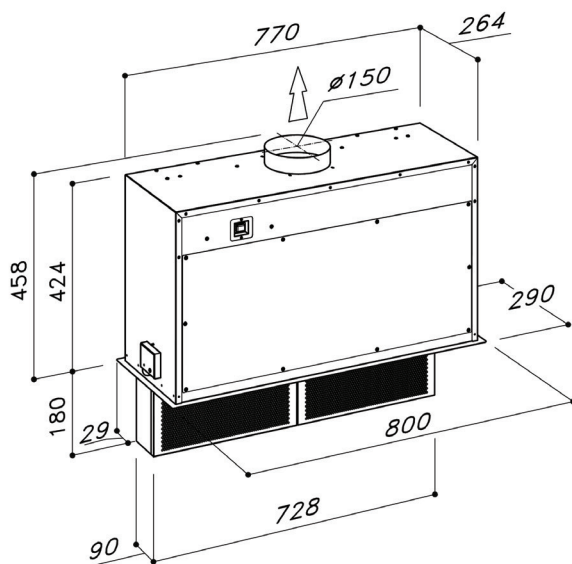
**INDUCTION
SAFE**



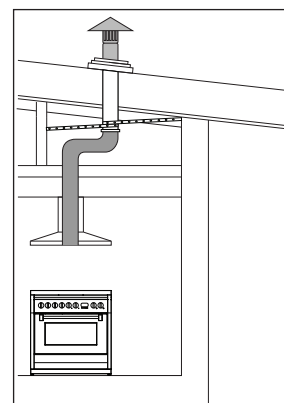
**TELESCOPIC
FILTERS**



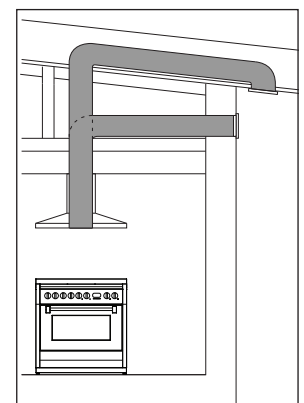
**HANDCRAFTED
IN ITALY**



Ducting options



Roof ducted



Eave or Wall ducted

- Use semi-rigid or rigid ducting, not fully flexible foil ducting.
- Fewer bends means a quieter and more powerful extraction.
- Extra 3 years warranty when Sirius ducting is used (total 6 years).
- See [support page](#) on Sirius website for installation videos and FAQs.

06/2020

WARNING: technical specifications and product sizes can be varied by the manufacturer, without notice. Cut outs for appliances should only be by physical product measurements. The above information is indicative only.

Distributed by Arisit Pty Ltd

40-50 Mark Anthony Drive, Dandenong South VIC 3175

Ph: 1300 762 219

Fax: 03 9768 0838

Website: www.arisit.com

www.siriusbrand.com