

UKes 1752

Built-In
GrandCru



Built-In

LIEBHERR

UKes 1752

Built-under fridge
GrandCru



↑
82-87
↓



Type	flush
Energy consump. in 365 days/24 h	337 / 0.923 kWh
Frequency / voltage	50 Hz / 220-240 V-
Connection Rating	0.8 A
Door	Glass door with stainless steel frame
Aperture dimensions in cm (h / w / d)	82-87 / 60-61 / min. 58
Controls	
Type of Control	MagicEye, key electronic Digital temperature display
Alarm in case of malfunction	visual and acoustic
Door alarm	acoustic
Child proof function	yes
Features	
Temperature zones	1
Temperature range	+2 °C to +20 °C
Adjustable cooling circuits	1
Forced air system	Convection cooling
Interior light	LED interior lighting
Handle	Aluminium handle
Shelf material	Glass
Storage shelves	4
Pull-out shelves on telescopic rails	1
Door hinges	Reversible door hinging, right
Lock	fitted
EAN-Nr.	9005382238639

Features



Telescopic shelf

The telescopic wire shelf makes it easy to access drinks located at the rear of the shelf, so all valuable space can be utilised efficiently.



LED lighting

The innovative LED lighting guarantees the even illumination of the interior without UV exposure. Since minimal heat is generated by the LEDs, wines can be presented bathed in light over a prolonged period of time.



Sectionable glass shelf

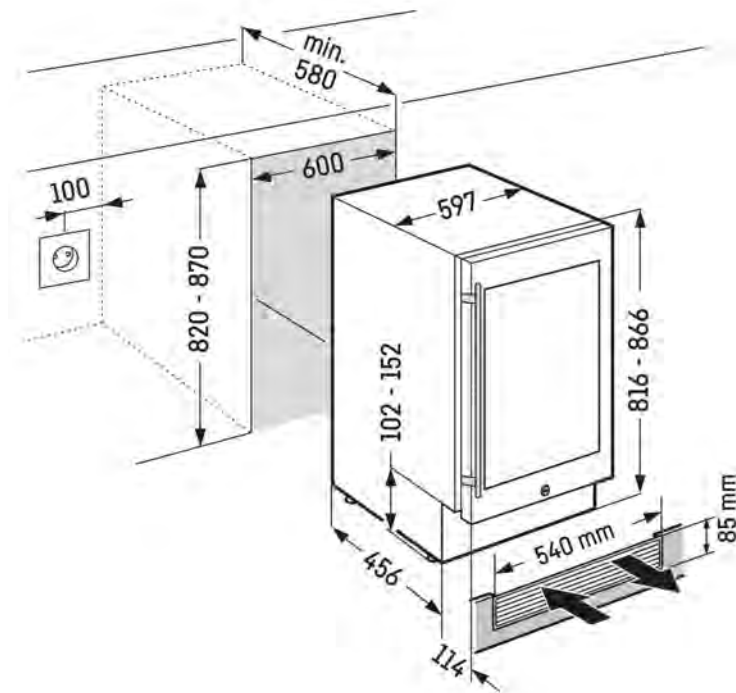
The middle glass shelf is sectioned so that the front half can slide under the other to provide room for taller beverages or food items.



Integrated lock

Integrated in the door below the glass, this sturdy lock provides protection from unwanted entry.

Technical drawing



Products and their details are staged for advertising purposes. Whilst every effort is made to ensure all specifications and information in this flyer are accurate, Liebherr reserves the right to make changes without notification. Where actual appliance measurements, specifications, and ratings are crucial, we recommend that the actual appliance installation instructions that accompany each appliance be checked. Liebherr will not be liable for any damage. (18.09.2024)

