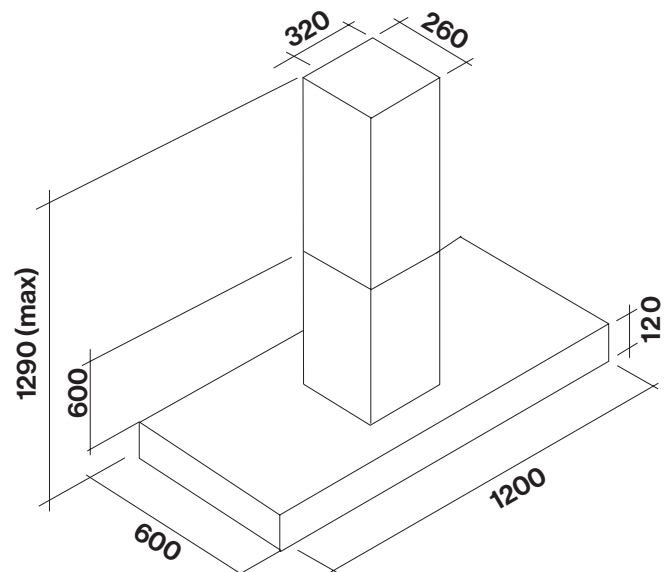


Product Features

Motor Type	Off Board Motor
Dimensions	1200 x 600 x 1291mm Suits 90cm-130cm cooking surfaces
Filtration Type	Baffle Filters x 3
Lighting	LED 6 x 1.2 W (3200 K)
Finish	AISI304 Scotch Brite Stainless
Controls	Touch Control (Remote Control Optional)
Speed Settings	3 Speed + Boost
Timer Function	15 Min Auto Shut-Off
Ducting	200mm Circular Outlet + 5m of flexible ducting supplied
Other	N/A

Dimensioned Drawings



Model Code	Motor Output	Installation Option
F7TN12S1-ER2010	2010 m ³ /hr	External Roof Motor
F7TN12S1-EW2010	2010 m ³ /hr	External Wall Motor