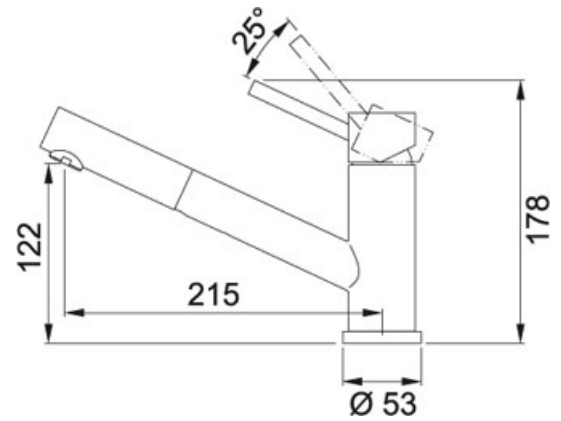


Pull Out Nozzle Stainless Steel | 115.0381.036

FAMILY : Taps | MODEL : Pull Out Nozzle | FINISH : Stainless Steel | SERIE : Taros



TECHNICAL DATA

Version	Pull out nozzle
Tap Pressure	High Pressure
Tap Operation	Top Lever
Height Overall	178.00 mm
Height to End of Spout	122.00 mm
Spout reach	215.00 mm
Type	CERAMIC-CARTRIDGE-Ø-35-MM
WELS	4 star / 7.5Lpm
Note	WELS registration code: T31043