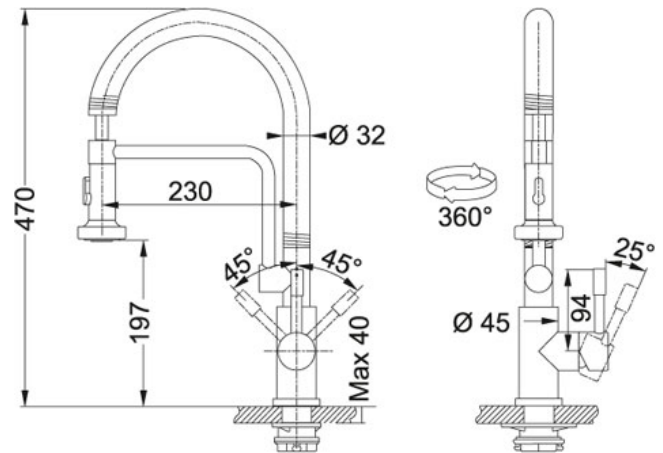


Professional Reach Stainless Steel | 115.0189.589

FAMILY : Taps | SERIE : Professional | MODEL : Reach | FINISH : Stainless Steel | INSTALLATION TYPE : Worktop



TECHNICAL DATA

Version	Semi-Pro
Type	Ceramic Cartridge
WELS	4 star / 7.5Lpm
Diameter	Ø 35 mm
Note	It is recommended to install this tap directly through a solid benchtop. WELS registration code: T31041
Tap Operation	Side Lever
Tap Pressure	MIN-7.25-PSI/-50-KPA