

TECHNICAL DATASHEET

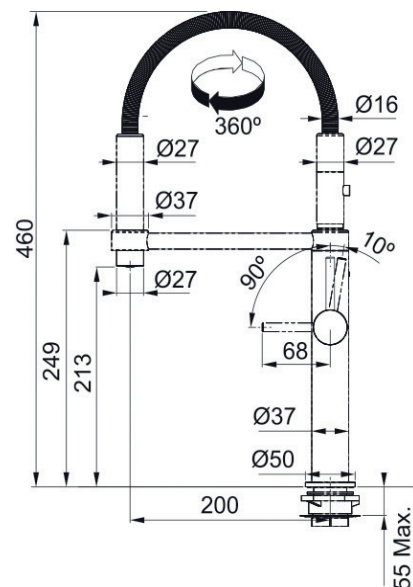
PESCARA 360 TA 7360MB

Product Category	Taps
Finish	Matte Black
Range	Pescara 360
Model	TA 7360MB
Warranty	15 Years



PRODUCT INFORMATION

Style	Pull-Out Spray
Tap Swivel Spout (degrees)	360
Cut-Out Size	Ø 35mm
WELS	5 star / 5 Lpm Reg No: T35260
Min. (PSI)	7.25
Max. (PSI)	72.5
Min. (kPa)	50kPa
Max. (kPa)	500kPa



PLEASE NOTE

Large and heavy taps should ideally be mounted directly through the solid benchtop or fully supported from underneath. For all other swivel taps, we recommend the use of the Franke Tap Support Arm to provide additional support. Please ensure all Franke tapware is installed at a pressure of no greater than 500 kPa in accordance with AS/NZS3500 and insist that your plumber flushes all of the water supply lines before installing tapware. Failure to do so may void warranty.



LAST UPDATED: 16 MAY 2019

