

# TECHNICAL DATASHEET

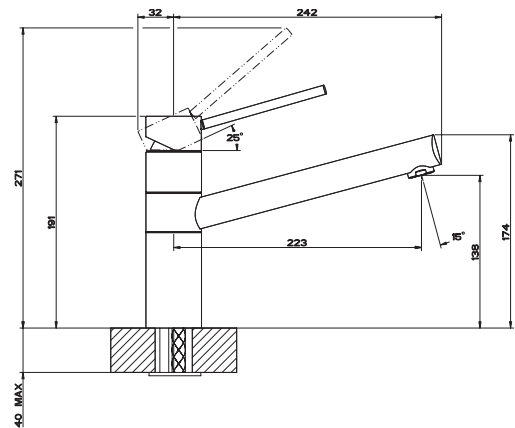
OZONE TA 6850MB

Product Category	Taps
Finish	Matte Black
Range	Ozone
Model	TA 6850MB
Warranty	15 Years



## PRODUCT INFORMATION

Article Number	115.0536.689
Style	Swivel
Cut-Out Size	∅ 35mm
WELS	4 star / 7.5 Lpm
Min. (PSI)	7.25
Max. (PSI)	72.5
Min. (kPa)	50kPa
Max. (kPa)	500kPa



## PLEASE NOTE

Large and heavy taps should ideally be mounted directly through the solid benchtop or fully supported from underneath. For all other swivel taps, we recommend the use of the Franke Tap Support Arm to provide additional support. Please ensure all Franke tapware is installed at a pressure of no greater than 500 kPa in accordance with AS/NZS3500 and insist that your plumber flushes all of the water supply lines before installing tapware. Failure to do so may void warranty.

LAST UPDATED: 25 JAN 2018

Make  
it  
Wonderful

**FRANKE**