

Handling:

- TwistPad® Fire

Flexibility:

- 2 FlexZones
- PowerMove
- Extended FlexInduction
- 4 induction zones
- PowerTransfer

Comfort:

- PotBoost function for all zones
- PanBoost
- 17 power levels
- Digital display from the cooking levels
- 2 stage residual heat indicator per cooking zone
- Switch off timer for every cooking zone
Timer
- Automatic pan recognition sensor
Powermanagement function
Automatic Time switch-off
Childproof lock
Wipe protection function

Design:

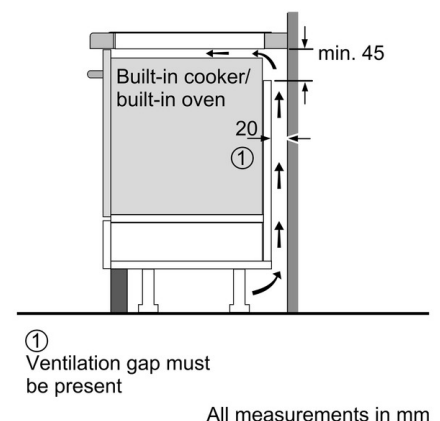
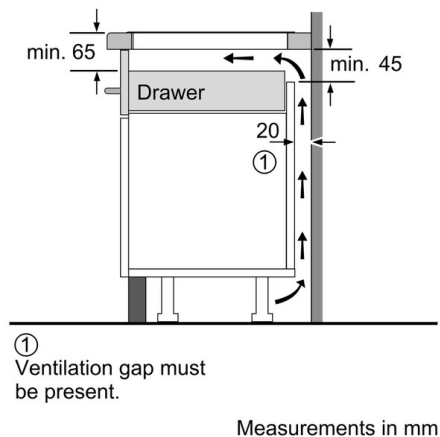
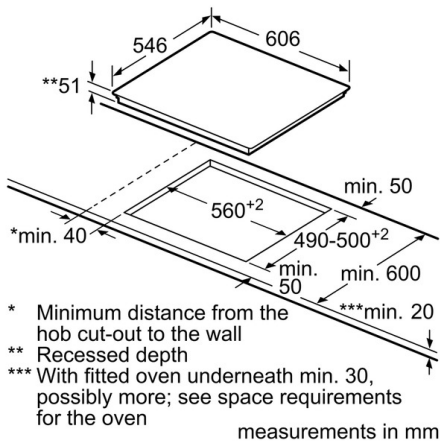
- Stainless-steel flush-fitted trim

Technical information:

- Installation measurements: 560 mmx500 mm
- 60 cm width
- Length wire connection: 110 cm
- Powermanagement function
- Main switch
- Min. worktop thickness: 30 mm
- connecting value 7400 W
- Cooking zones: 1 x Ø 380 mmx230 mm, 3.3 KW (max. Power levels 3.7 KW) Induction or 2 x Ø 190 mm, 2.2 KW (max. Power levels 3.7 KW) Induction; 1 x Ø 380 mmx230 mm, 3.3 KW (max. Power levels 3.7 KW) Induction or 2 x Ø 230 mm, 2.2 KW (max. Power levels 3.7 KW) Induction
- 2 x FlexInduction with 2 Use options: 2 Individual-Induction-Cooking Zones with 230 mm Surfaces or one flexible Induction-Cooking zone with 1 x Ø 380 mmx230 mm Surface
- FryingSensor with 5 temperature settings
- Can be combined with all hobs in comfort design
- Cable included

T66TS61N0
FlexInduction cooktop
Standalone FlexInduction cooktop with TwistPad control





Characteristics

Product name/family : Cooking zone ceramic
 Construction type : Built-in
 Energy input : Electric
 Total number of positions that can be used at the same time : 4
 Type of control setting devices : , Cylindrical controls
 Required niche size for installation (HxWxD) : 56 x 560-560 x 490-500
 Width of the product (mm) : 606
 Dimensions of the product (mm) : 56 x 606 x 546
 Net weight (kg) : 16.0
 Gross weight (kg) : 17.0
 Residual heat indicator : Separate
 Location of control panel : Hob front
 Basic surface material : Ceramic
 Color of surface : Black, Stainless steel
 Color of frame : Stainless steel
 Approval certificates : AENOR, CE
 Length electrical supply cord (cm) : 110
 Knob Material : steel
 Sealed Burners : No
 heating with booster : All
 Power of 1st heating element (kW) : 2.2
 Power of 2nd heating element (kW) : 2.2
 Power of 3rd heating element (kW) : 2.2
 Power of 4th heating element (kW) : 2.2
 Power of 1st heating element (kW in boost) : 3.7
 Power of 2nd heating element (kW in boost) : 3.7
 Power of 3rd heating element (kW in boost) : 3.7
 Power of 4th heating element (kW in boost) : 3.7

Consumption and connection features

Electrical connection rating (W) : 7400
 Voltage (V) : 220-240
 Frequency (Hz) : 50; 60
 Main colour of product : Black
 Energy input : Electric
 Approval certificates : AENOR, CE
 Plug type : no plug
 Dimensions of the packed product (in) : 4.96 x 23.74 x 29.64
 Net weight (lbs) : 35
 Gross weight (lbs) : 38
 Total number of positions that can be used at the same time : 4
 Length electrical supply cord (cm) : 110
 Required niche size for installation (HxWxD) : 56 x 560-560 x 490-500

Alternative colors available

T66TS61N0:Black

Optional accessories

Z9410X1 Induction roaster
 Z9415X1 Steaming rack for Induction roaster
 Z9417X2 Teppan Yaki (large)
 Z9442X0 set of 3 pots + 1 pan for induction hob

EAN code

4242004191704

T66TS61N0
Technical Data