

SOA4104M2PG

COMPACT LINEA SPEEDWAVE OVEN

MADE IN ITALY
Since 1948



COMPACT BUT MIGHTY

It's everything you love about a microwave - speed, convenience and functionality - perfectly matched to your other ovens. Mix microwave with traditional cooking for faster, beautiful results. Plus, special functions such as stone cooking, air frying and BBQ cooking expands the results you can achieve in this compact oven. It's the perfect companion to your full size oven.

SMART COOKING

Let the oven do the work for you and cook with 150 built-in auto programmes. Plus, you can even save the oven settings of up to 10 of your favourite recipes so they can be simply called up at the touch of a button.

MULTI-STEP PROGRAMMING

Pre-set up to two different steps before you start cooking to allow for utmost versatility to achieve the perfect finish. It's no fuss, set and forget cooking.

MULTI-POINT TEMPERATURE PROBE

Cook like a professional. The multi-point probe measures the internal temperature of your food at three different points for precise cooking results.

VAPOUR CLEAN

Grease and cooking residue is softened by the combination of heat and steam for easier removal. This program runs for approximately 13 minutes, making this a very economical and eco-friendly way to clean the oven after a big cook up.

NEPTUNE GREY: THE NEW NEUTRAL

An elegant aesthetic that incorporates modern minimalistic design trends with an on-trend neutral colour, Linea is characterised by symmetrical lines, balance and light. Any combination of premium Linea appliances will make a real style statement in the kitchen.

TEN TRADITIONAL COOKING FUNCTIONS:



FIVE MICROWAVE COOKING FUNCTIONS:



OTHER FUNCTIONS:



SOA4104M2PG

COMPACT LINEA SPEEDWAVE OVEN

MADE IN ITALY
Since 1948

OVEN FEATURES

EAN	8017709328863
Dimensions	597mmW x 458mmH x 547mmD (excludes door and handle)
Finish	Neptune Grey
Cooking functions	15
Other functions	14
Microwave power	900W
Inverter	Yes
Stirrer	Yes
Display	VivoScreen
Gross volume	50L
Net volume	40L
Shelf positions	2
Thermostat	30°C - 250°C
Smart cooking	Yes
Cooking with probe	Yes
DeltaT cooking	Yes
SameTime	Yes
Multi-step cooking	Yes (2 step)
Rapid pre-heat	Yes
Instant GO	Yes
Installation	Built-in
Cleaning	Vapour Clean
Lighting	1 x LED
Safety	Thermal protection system, control lock
Timer	Delay start and automatic end cooking 2 x Minute minders
Door	Soft open and close
Power	220-240V, 50/60Hz 3100W 14A Connection
Warranty	5 years parts and labour

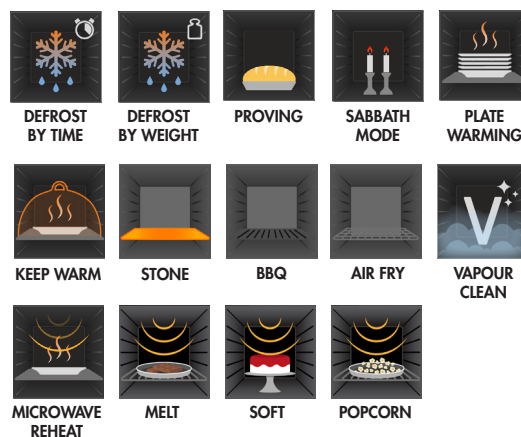
TEN TRADITIONAL COOKING FUNCTIONS:



FIVE MICROWAVE COOKING FUNCTIONS:



OTHER FUNCTIONS:



INCLUDED ACCESSORIES

- 1 x Chrome shelf
- 1 x Chrome grill insert
- 1 x Glass tray
- 1 x Multi-point temperature probe
- 1 x Full telescopic guides
- 1 x Boiling rod

OPTIONAL ACCESSORIES

- ET20 - 20mm enamelled baking tray
- ET50 - 50mm enamelled baking tray
- GTP2 - Partial telescopic guides
- GTT2 - Full telescopic guides
- BBQ - Double sided teflon coated aluminium BBQ tray
- AIRFRY - Air fry rack
- STONE - Pizza stone

SOA4104M2PG
COMPACT LINEA SPEEDWAVE OVEN

MADE IN ITALY
Since 1948

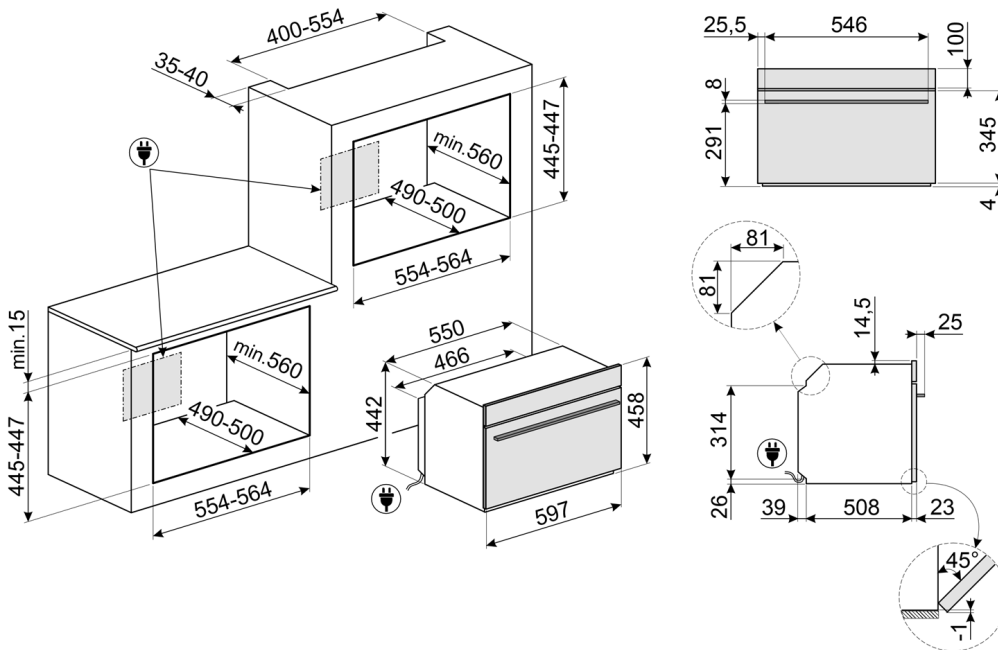
MATCHES WELL WITH:



SOA6104S4PG
60CM STEAM100 PRO OVEN



CPRT115G
WARMING DRAWER



Dimensions	597mmW x 458mmH x 547mmD (excludes door and handle)
Power	220-240V, 50/60Hz 3100W 14A Connection

PLEASE NOTE: drawings are not to scale. They are to assist only.
WARNING: technical specifications and product sizes can be varied by the manufacturer without notice.
Cutouts for appliances should only be by physical product measurements. The above information is indicative only.