

SOA4102M1B3
COMPACT LINEA SPEED OVEN

MADE IN ITALY
Since 1948



TRADITIONAL AND MICROWAVE COOKING

A whole suite of cooking tools at your fingertips. Explore and expand your culinary repertoire with traditional and microwave technology. Combining everything you love about a microwave - speed, convenience and functionality - this compact oven allows you to easily mix microwave with traditional cooking to achieve faster, amazing cooking results.

EASY TO READ DISPLAY

Thanks to a user-friendly display with large easy-to-read graphics, oven programming is taken to a whole new level making cooking a true pleasure.

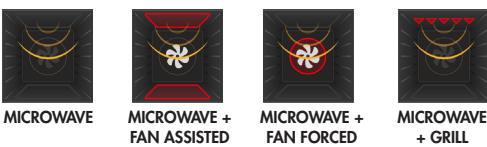
EVER CLEAN ENAMEL

The superior quality of Smeg's signature Ever Clean enamel, which is highly durable and easy to clean, is the result of over 70 years of enameling expertise; ensuring long-life performance of every Smeg oven.

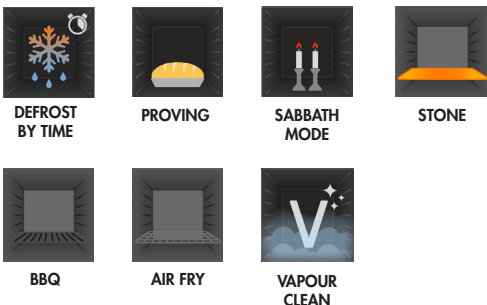
EIGHT TRADITIONAL COOKING FUNCTIONS:



FOUR MICROWAVE COOKING FUNCTIONS:



OTHER FUNCTIONS:



MINIMALIST DESIGN

Distinctive products that incorporate modern minimalist design trends, the Linea aesthetic is characterised by symmetrical lines, balance and light. Any combination of premium Linea appliances will make a real style statement in the kitchen.

SOA4102M1B3

COMPACT LINEA SPEED OVEN

MADE IN ITALY
Since 1948

OVEN FEATURES

EAN	8017709328191
Dimensions	597mmW x 454mmH x 547mmD (excludes door and handle)
Finish	Midnight Black
Cooking functions	12
Other functions	7
Microwave power	850W
Inverter	No
Stirrer	No
Display	EvoScreen
Gross volume	50L
Net volume	40L
Shelf positions	2
Thermostat	30° C - 250° C
Smart cooking	No
Cooking with probe	No
DeltaT cooking	No
SameTime	No
Multi-step cooking	No
Rapid pre-heat	Yes
Instant GO	Yes
Installation	Built-in
Cleaning function	Vapour Clean
Lighting	2 x 40W Halogen
Safety	Thermal protection system, control lock
Timer	Delay start and automatic end cooking 1 x Minute minder
Door	Soft open and close
Power	220-240V, 50/60Hz 3300W 15A Connection
Warranty	Five years parts and labour

OVEN FUNCTIONS

EIGHT TRADITIONAL COOKING FUNCTIONS:



FOUR MICROWAVE COOKING FUNCTIONS:



OTHER FUNCTIONS:



INCLUDED ACCESSORIES

- 1 x Chrome shelf
- 1 x Chrome grill insert
- 1 x Glass tray
- 1 x Boiling rod

OPTIONAL ACCESSORIES

- ET20 - 20mm enamelled baking tray
- ET50 - 50mm enamelled baking tray
- GTP2 - Partial telescopic guides
- GTT2 - Full telescopic guides
- BBQ - Double sided teflon coated aluminium BBQ tray
- AIRFRY - Air fry rack
- STONE - Pizza stone

SOA4102M1B3
COMPACT LINEA SPEED OVEN

MADE IN ITALY
Since 1948

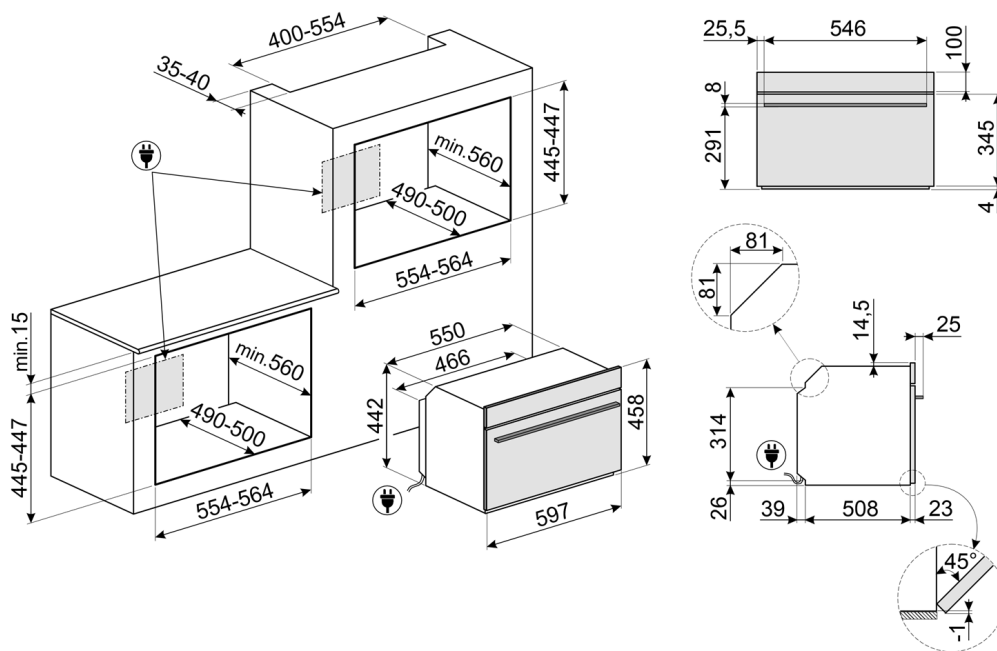
MATCHES WELL WITH:



SOPA6102TB3
LINEA PYRO OVEN



CPR115B3
LINEA WARMING DRAWER



Dimensions	597mmW x 454mmH x 547mmD (excludes door and handle)
Power	220-240V, 50/60Hz 3300W 15A Connection
Warranty	Five years parts and labour

PLEASE NOTE: drawings are not to scale. They are to assist only.
WARNING: technical specifications and product sizes can be varied by the manufacturer without notice.
Cutouts for appliances should only be by physical product measurements. The above information is indicative only.