

**Serie | 4, fully-integrated dishwasher,  
60 cm  
SMV4HTX01A**



**Dishwasher with Wifi connectivity and flexible loading.**

- **ExtraDry:** option for additional drying.
- **VarioFlex baskets:** enhanced flexibility in basket creates more space for your dishes.
- **Rackmatic:** top basket adjustable on three levels offers additional space, especially for tall dishes.
- **Home Connect:** home appliances with smart connectivity for an easier everyday life.
- **Favourite function:** personalized function by just one touch even for downloaded programs.

**Technical Data**

Water consumption (l) :	13.5
Total annual energy consumption (kWh) 220 days :	136
Total annual water consumption (l) 220 days :	2970
Built-in / Free-standing :	Built-in
Removable top :	No
Door panel options :	Not possible
Height of removable worktop (mm) :	0
Height of the product (mm) :	815
Adjustable feet :	Yes - all from front
Maximum adjustability feet (mm) :	60
Net weight (kg) :	33.857
Gross weight (kg) :	35.9
Connection Rating (W) :	2400
Current (A) :	10
Voltage (V) :	220-240
Frequency (Hz) :	50; 60
Length electrical supply cord (cm) :	175
Plug type :	AU plug
Length inlet hose (cm) :	165
Length outlet hose (cm) :	190
Hidden heating element :	Yes
Water protection system description :	
Triple water protection :	24h
Child safety devices :	Childlock appliance
Water softener (permanently deactivated/disabled) :	No
Top basket type :	mid
Adjustable upper basket :	Rackmatic 3-stage
Bottom basket type :	mid
3rd Rack :	None
Cutlery Basket :	Standard
Optional accessories :	
SGZ1010, SMZ2014, SMZ2056, SMZ5000, SMZ5001, SMZ5002, SMZ5003, SMZ5300, SMZ5006, SMZ5150AU	
Included accessories 2 :	
baking-sheet spray head grey, vapor barrier plate	
Number of place settings :	14
Color / Material panel :	Black
Dimensions of the product (HxWxD) :	815 x 598 x 550
Dimensions of the packed product (HxWxD) (mm) :	870 x 670 x 640

**Optional accessories**

- SGZ1010 :
- SMZ2014 :
- SMZ2056 :
- SMZ5000 :
- SMZ5001 : Baby care kit
- SMZ5002 :
- SMZ5003 :
- SMZ5006 :
- SMZ5150AU : Kick panel stainless steel
- SMZ5300 :



## Serie | 4, fully-integrated dishwasher, 60 cm SMV4HTX01A

### Dishwasher with Wifi connectivity and flexible loading.

#### Capacity

- 14 place settings

#### Consumption rates

- 4 Star energy rating, 4 Star WELS water rating
- 13.5 litres water consumption per wash and 230 kwh energy consumption per year, based on the Eco AU 45 °C program with a cold water connection

#### Design

- Hidden control buttons integrated into the top of the door
- Polinox inner tub: The Polinox inner tub is extremely durable, odourless and rust-free. German engineered with robust materials that withstand dints, scratches and discolouration, based on 10 year simulation tests.

#### Wash Programs and Options

- 6 programmes:
  - Eco Wash : Energy efficient wash & dry. Mixed loads & soil levels 45 °C,
  - Auto Wash: Automatic wash & dry. Mixed loads & soil levels 45-65 °C,
  - Pots and Pans : For heavily soiled dishes 70 °C,
  - Quick 1hr : Quick wash & dry. Mixed loads & soil levels. 65 °C,
  - Glass Wash: for sensitive glassware, crystal, & fine china 40 °C,
  - Favourite: set or download your favourite combination of program and options
- Special options:
  - Extra Dry: Provides an even better drying result by extending the drying time
  - HygienePlus : Extended increased temperature program for hygienic cleaning
  - SpeedPerfect : Reduce wash time even after cycle has started
- Machine Care: maintains your dishwasher's optimum performance and hygiene option

#### Performance

- DosageAssist™: Maximises the effectiveness of detergent tablets. The tablet is dropped into a specially engineered

tray and is completely dissolved. For superior cleaning performance and a quieter wash.

- EcoSilence Drive® quiet and energy-efficient brushless motor (BLDC)
  - BLDC Main Pump: Variable water & spray pressure to achieve optimum cleaning results
  - BLDC Drain Pump: Fast and extra quiet draining of water, no gurgling sounds
- AutoBrilliance™: Automatic detergent and rinse aid sensor
- hydroDry heat exchanger assists with condensation to help dry dishes
- 5 Spray levels for maximum water contact and optimum wash results
- 3 stage self-cleaning filter system: design that helps reduce the need to wash the filter and prevents blockages

#### Flexibility

- VarioFlex™ basket system
- RackmaticPlus™: 3-stage top basket can be adjusted to three height levels to maximise convenience
- Low friction wheels on bottom basket
- Rack Stopper to prevent derailing of bottom basket
- 2 foldable plate racks in top basket
- 4 foldable plate racks in bottom basket
- Cutlery/knife rack in upper basket
- Moveable cutlery basket in lower basket

#### Convenience

- Very quiet operation - 46 dB
- Inflight : Program Status Indicator
- HomeConnect via WiFi Connectivity
- Time remaining display
- Audible program end
- Time delay start: Delay program start time by 1-24 hours to suit your schedule

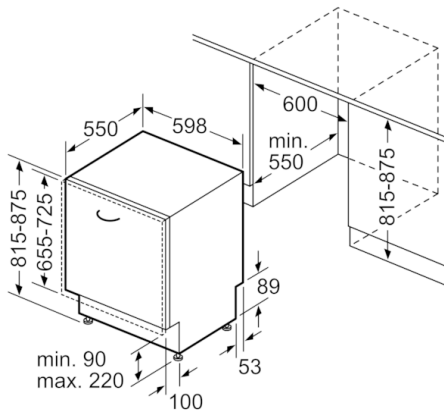
#### Safety

- Child door lock
- AquaStop™ Plus: Water supply device with lifetime anti-flood protection

#### Product Dimensions (H x W x D)

- Height 815-875 mm x Width 598 mm x Depth 550 mm

**Serie | 4, fully-integrated dishwasher, 60 cm  
SMV4HTX01A**



measurements in mm