

Series 8, built-under dishwasher, 60 cm, Stainless steel SMU8ZCS01A



PerfectDry dishwasher with Zeolith drying technology for best drying results

- **Max Flex Pro baskets:** easy loading with protection for your dishes.
- **Third loading level for cutlery & utensils:** Provides extra loading flexibility and convenience for cutlery, cups, and large utensils.
- **Rackmatic:** top basket adjustable on three levels offers additional space, especially for tall dishes.
- **The Silence plus dishwasher is pleasingly quiet at just 42 dB.**
- **Home Connect: home appliances with smart connectivity for an easier everyday life.**

Maximum number of place settings: 15
 Water consumption in litres per cycle of the eco programme: ... 12.2 l
 Built-in / Free-standing: Built-in
 Height of removable worktop: 0 mm
 Dimensions of the product (HxWxD): 815 x 598 x 573 mm
 Min. required niche size for installation (HxWxD): 815-875 x 600 x 550 mm
 Depth with open door 90 degree: 1150 mm
 Adjustable feet: Yes - all from front
 Maximum adjustability feet: 60 mm
 Adjustable plinth: Both horizontal and vertical
 Net weight: 47.6 kg
 Gross weight: 49.5 kg
 Connection rating: 2400 W
 Fuse protection: 10 A
 Voltage: 220-240 V
 Frequency: 50; 60 Hz
 Length electrical supply cord: 175.0 cm
 Plug type: AU plug
 Length inlet hose: 165 cm
 Length outlet hose: 190 cm
 EAN code: 4242005382880
 Installation typology: Built-under

- SGZ0BI01 decorative strips stainless steel 81,5cm
- SGZ1010 inlet and outlet hose extention
- SGZ6DB04 Vario Drawer for Max Flex Pro Baskets
- SMZ2014 Rack insert for stemware dishwasher
- SMZ5150AU Kick panel stainless steel
- SMZ5300 GlassSecure Tray



Series 8, built-under dishwasher, 60 cm, Stainless steel SMU8ZCS01A

PerfectDry dishwasher with Zeolith drying technology for best drying results

Capacity

- Capacity: 15 place settings place settings

Consumption rates

- 4.5 Star energy rating, 5,0 stars Star WELS water rating. D02846.
- Water consumption of 12.2 litres per wash using Eco AU in accordance with AS/NZS 6400 and Energy consumption of 206 kWh per year using the Eco AU program seven times per week. Consumption is based on cold water connection and is tested in accordance with AS/NZS 2007.2

Design

- Stainless steel interior tub
- SoftTouch buttons: Electronic soft-touch activated buttons
- Anti-fingerprint stainless steel finish

Wash Programs and Options

- 8 Programmes:
- Eco Wash : Energy efficient wash & dry. Mixed loads & soil levels,
- Auto Intensive: for pots & pans and baked-on food & grease.,
- Auto wash: Wash & dry program for mixed loads and soil levels,
- Auto Gentle: Automatic wash & dry program for delicate and lightly soiled dishes,
- Short wash: quick wash & dry 89 min program for mixed loads & soil levels.,
- Express wash: Wash only for lightly soiled dishes,
- ExtraQuiet: extended quiet wash & dry program for mixed loads & soil levels,
- Favourite: set or download your favourite combination
- Special options:
- Extra Dry: Provides an even better drying result by extending the drying time
- HygienePlus : Extended increased temperature program for hygienic cleaning
- SpeedPerfect : Reduce wash time even after cycle has started
- Machine Care: maintains your dishwasher's optimum performance and hygiene option
- Add-On function via Home Connect app: Silence on demand

Performance

- Zeolith® Drying Technology: Unique ground-breaking technology absorbs water molecules in order to dry dishes quicker with ultimate energy efficiency
- hydroDry heat exchanger assists with condensation to help dry dishes
- AquaSensor™ technology: Regulates the water usage depending on the type and degree of soiling
- DosageAssist™: Maximises the effectiveness of detergent tablets. The tablet is dropped into a specially engineered tray and is completely dissolved. For superior cleaning performance and a quieter wash.
- EcoSilence Drive® quiet and energy-efficient brushless motor (BLDC)

- BLDC Main Pump: Variable water & spray pressure to achieve optimum cleaning results BLDC Drain Pump: Fast and extra quiet draining of water, no gargling sounds
- AutoBrilliance™: Automatic detergent and rinse aid sensor
- 5 Spray levels for maximum water contact and optimum wash results
- 3 stage self-cleaning filter system: design that helps reduce the need to wash the filter and prevents blockages
- Very quiet operation - 42 dB

Flexibility

- Basket system with red coloured touchpoints provides total flexibility for all loading requirements
- Extra Clean Zone: Provides an even better cleaning result for items placed directly over the three rotating nozzles in the top basket
- VarioDrawer™ Pro: Third loading level for cutlery & utensils
- RackmaticPlus™: 3-stage top basket can be adjusted to three height levels to maximise convenience
- Ball bearing on top basket for an easy glide
- Low friction wheels on bottom basket
- Anti-slip protection strips in upper rack
- Rack Stopper to prevent derailing of bottom basket
- 6 foldable plate racks in top basket
- 8 foldable plate racks in bottom basket
- Moveable cutlery basket in lower basket
- 2 foldable cup shelves with soft silicone edges in top basket
- Glass rack in lower basket for tall stemmed glasses

Convenience

- HomeConnect via WiFi Connectivity
- Time remaining display
- Time delay start: Delay program start time by 1-24 hours to suit your schedule
- Large item spray head: For washing extra large items such as baking trays, Vapour barrier protection plate

Safety

- AquaStop™ Plus: Water supply device with lifetime anti-flood protection
- Child door lock

Product Dimensions (H x W x D)

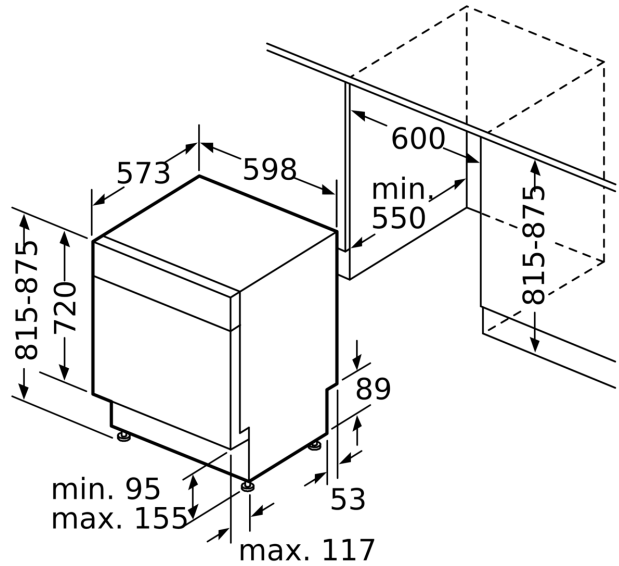
- Height 815-875 mm x Width 598 mm x Depth 573 mm

**Series 8, built-under dishwasher, 60 cm, Stainless steel
SMU8ZCS01A**

measurements in mm



⌚ socket
() values with extension kit



measurements in m