

**Series 6, built-under dishwasher, 60 cm, Stainless steel
SMP6HCS01A**



Dishwasher with user-friendly control and unique design which allows it to be installed flush under a worktop.

- **ExtraDry:** option for additional drying.
- **Max Flex baskets:** flexible and stable loading for your dishes, with superior sliding performance.
- **Rackmatic:** top basket adjustable on three levels offers additional space, especially for tall dishes.
- **Silence Plus:** the pleasingly quiet 44 dB dishwasher.
- **Home Connect:** home appliances with smart connectivity for an easier everyday life.

Maximum number of place settings: 15
 Water consumption in litres per cycle of the eco programme: ...11.1 l
 Built-in / Free-standing: Built-in
 Height of removable worktop: 0 mm
 Dimensions of the product (HxWxD):815 x 598 x 573 mm
 Min. required niche size for installation (HxWxD):815-875 x 600 x 550 mm
 Depth with open door 90 degree: 1150 mm
 Adjustable feet: Yes - all from front
 Maximum adjustability feet: 60 mm
 Adjustable plinth:Adjustable plinth
 Net weight:41.6 kg
 Gross weight: 43.5 kg
 Connection rating: 2400 W
 Fuse protection: 10 A
 Voltage: 220-240 V
 Frequency: 50; 60 Hz
 Length electrical supply cord: 175.0 cm
 Plug type: AU plug
 Length inlet hose: 165 cm
 Length outlet hose: 190 cm
 EAN code:4242005341566
 Installation typology: Built-under

- SMZ2014 Rack insert for stemware dishwasher
- SMZ5000 Dishwashing aid set
- SMZ5002 Silver polishing cassette
- SMZ5150AU Kick panel stainless steel
- SMZ5300 GlassSecure Tray
- SGZ0BI01 decorative strips stainless steel 81,5cm
- SGZ1010 inlet and outlet hose extension



Series 6, built-under dishwasher, 60 cm, Stainless steel SMP6HCS01A

Dishwasher with user-friendly control and unique design which allows it to be installed flush under a worktop.

Capacity

- Capacity: 15 place settings

Consumption rates

- 4 Star energy rating, 5.5 stars Star WELS water rating. AU WELS Registration Number: D02779.
- Water consumption of 11.1 litres per wash using Eco AU in accordance with AS/NZS 6400 and Energy consumption of 245 kWh per year using the Eco AU program seven times per week. Consumption is based on cold water connection and is tested in accordance with AS/NZS 2007.2

Design

- Stainless steel interior tub
- SoftTouch buttons: Electronic soft-touch activated buttons
- Anti-fingerprint stainless steel finish
- Hidden control buttons integrated into the top of the door

Wash Programs and Options

- 7 programmes:
- Eco Wash : Energy efficient wash & dry. Mixed loads & soil levels 45 °C,
- Auto Wash: automatic wash & dry for Mixed loads & soil levels 45-65 °C,
- Auto Gentle : Automatic wash and dry program for delicate and lightly soiled dishes 35-45 °C,
- Pots & Pans: for heavily soiled dishes 70 °C,
- Quick 1h: quick wash & dry for mixed loads & soil levels 65 °C,
- ExtraQuiet: extended quiet wash & dry program for mixed loads & soil levels 50 °C,
- Favourite: set or download your favourite combination 7
- 5 special options:
- Remote Start: allows remote control and monitoring via HomeConnect,
- Extra Dry: Provides an even better drying result by extending the drying time,
- Intensive Zone: Intensive wash for items in the bottom basket,
- HygienePlus: Reduces bacteria from utensils & crockery,
- Speedperfect: reduce wash time even after cycle has started
- Machine care program: maintains your dishwasher's optimum performance and hygiene Option

Performance

- DosageAssist™: Maximises the effectiveness of detergent tablets. The tablet is dropped into a specially engineered tray and is completely dissolved. For superior cleaning performance and a quieter wash.
- EcoSilence Drive® quiet and energy-efficient brushless motor (BLDC)
- BLDC Main Pump: Variable water & spray pressure to achieve optimum cleaning results BLDC Drain Pump: Fast and extra quiet draining of water, no gurgling sounds

- Extra Clean Zone: Provides an even better cleaning result for items placed directly over the three rotating nozzles in the top basket
- hydroDry heat exchanger assists with condensation to help dry dishes
- 3 stage self-cleaning filter system: design that helps reduce the need to wash the filter and prevents blockages
- 5 Spray levels for maximum water contact and optimum wash results
- AutoBrilliance™: Automatic detergent and rinse aid sensor
- Very quiet operation - 44 dB

Flexibility

- Basket system with red coloured touchpoints provides total flexibility for all loading requirements
- VarioDrawer™: Provides an extra loading level for cutlery and utensils
- RackmaticPlus™: 3-stage top basket can be adjusted to three height levels to maximise convenience
- Ball bearing on top basket for an easy glide
- Low friction wheels on bottom basket
- Anti-slip protection strips in upper rack
- Rack Stopper to prevent derailing of bottom basket
- 2 foldable racks in top basket
- 6 foldable plate racks in bottom basket
- 2 foldable cup shelves with soft silicone edges in top basket
- Moveable cutlery basket in lower basket

Convenience

- HomeConnect via WiFi Connectivity
- Time remaining display
- Audible program end
- Time delay start: Delay program start time by 1-24 hours to suit your schedule
- Large item spray head: For washing extra large items such as baking trays, Vapour barrier protection plate

Safety

- Child door lock
- AquaStop™ Plus: Water supply device with lifetime anti-flood protection

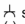
Product Dimensions (H x W x D)

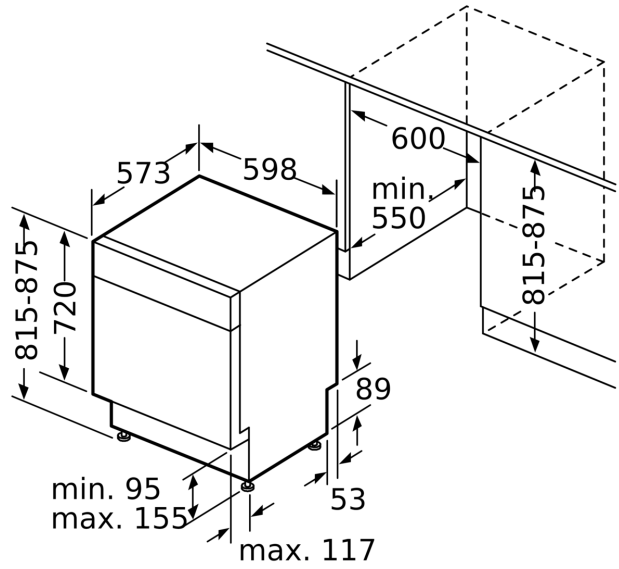
- H: 815 mm x W: 598 mm x D: 573 mm

**Series 6, built-under dishwasher, 60 cm, Stainless steel
SMP6HCS01A**

measurements in mm



 socket
() values with extension kit



measurements in m