

SM923L850

850MM ONBOARD UNDERMOUNT



SPECIFICATIONS

Rangehood Type	Undermount
GTIN	9351116005146
Country of Origin	Handcrafted in Italy
Designed to Suit	600-900mm GAS
Controls	Buttons
Speed Settings	4
Ducting Diameter	150mm
Recirculating	No
Extraction Type	Onboard Motor
Motor	Green Energy Single Aluminium Motor
Extraction Rate	800m3/hr
Filter Type	2x 10mm Stainless Steel Baffle & Stainless Mesh Filter Option Included
Noise Level	45dBa(min) to 70dBa(max)
Lighting	1 x 10.5W Led Strip
Run-on Timer	No
Electrical Requirement	10A
Max Current (W)	241W
Product Dimensions (mm)	W850 x D290 x H270
Cut-Out Dimensions (mm)	W835 x D275
Weight	18Kg
Warranty	3 Years (6 years when Sirius ducting is used)

KEY FEATURES



Green Energy Single Aluminium Motor

Power, performance and quiet efficiency are the most important elements in the performance of your Sirius hood. Sirius has worked tirelessly to create a product that ticks all the boxes.



18/10 Grade Stainless Steel Baffle Filters

Baffle filters feature interlocking baffles for effective grease removal, promoting smooth airflow. They're easy to maintain, offer superior filtration with a deep pleat design, and dishwasher safe.



Powerful Extraction

With a maximum airflow of 800M3/H, this rangehood quickly and effectively removes smoke, steam, heat, odours, and other airborne particles from areas requiring ventilation.



10.5W Led Strip

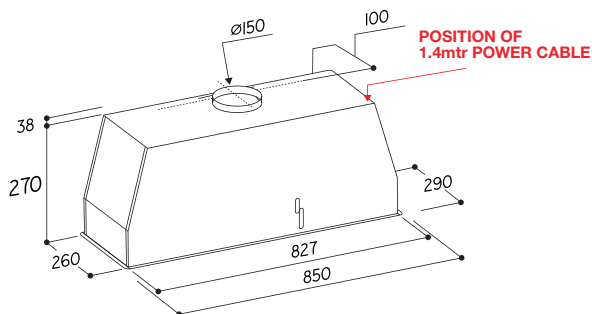
Energy-efficient with prolonged lifespan. Ideal for eco-conscious homes, providing quality illumination and minimizing replacement expenses.



Hand Crafted In Italy

Sirius Rangehoods, a prestigious Italian brand founded in 1996, is renowned for its bold designs and commitment to premium materials and craftsmanship, making it a top choice for high-end rangehoods.

LINE DRAWING



DISTRIBUTED BY ARISIT PTY LTD

40-50 Mark Anthony Drive, Dandenong South VIC 3175
Ph: 1300 762 219 Fax: 03 9768 0838 Website: www.arisit.com