

1080mm RANGEHOOD WITH OFFBOARD MOTOR - 'THE SOLARA' CEILING CASSETTE

SLT979EMEL



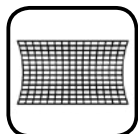
Compatible with Home Assistants

***Not available until August 2021**

| | |
|-----------------------------|---|
| Rangehood type | Ceiling cassette with pendant light |
| Control | Remote control |
| Speed settings | 4 |
| Ducting diameter | 200mm |
| Extraction type | Offboard motor |
| Motor* | SEM 71, SEM 81 |
| Filter | Aluminium filter |
| Lighting | Dynamic adjustable lighting |
| Induction Countdown Control | Yes |
| Electrical requirement | 10A |
| Cassette dimensions (mm) | W1080 x D680 x H285 |
| Warranty | 3 years (6 years when Sirius ducting is used) |



INDUCTION SAFE



ALUMINIUM FILTER



REMOTE CONTROL



VOICE CONTROL



POWERFUL AIRFLOW



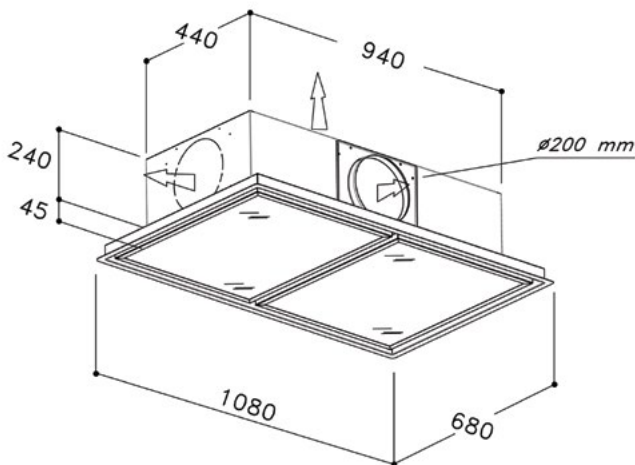
DYNAMIC LIGHTING



EUROPEAN-MADE MOTOR

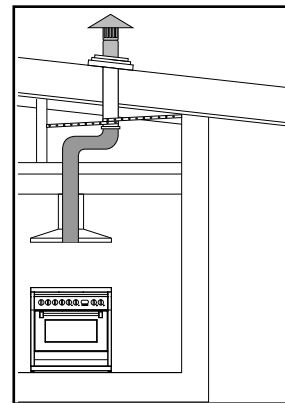


HANDCRAFTED IN ITALY

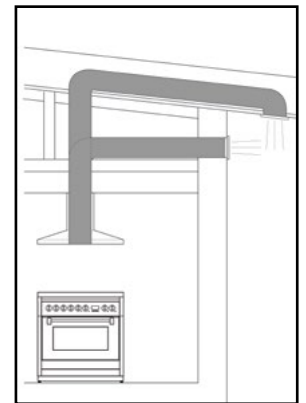


*Outdoor offboard motors have a marine grade finish as standard for added resistance to coastal weather elements.

Ducting options



Roof ducted



Eave or Wall ducted

- Can be used with SEM 71, SEM 81
- Use semi-rigid or rigid ducting, not fully flexible foil ducting.
- Fewer bends means a quieter and more powerful extraction.
- Extra 3 years warranty when Sirius ducting is used (total 6 years).
- See [support page](#) on Sirius website for installation videos and FAQs.

WARNING: technical specifications and product sizes can be varied by the manufacturer, without notice. Cut outs for appliances should only be by physical product measurements. The above information is indicative only.

Distributed by Arisit Pty Ltd