

# 930mm RANGEHOOD WITH OFFBOARD MOTOR - 'THE LINE' CEILING CASSETTE

SLT977EMEL



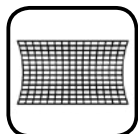
Compatible with Home Assistants

**\*Not available until August 2021**

Rangehood type	Ceiling cassette with pendant light
Control	Remote control
Speed settings	4
Ducting diameter	150mm
Extraction type	Offboard motor
Motor*	SEM 11, SEM 21, SEM 51
Filter	Aluminium filter
Lighting	Dynamic adjustable lighting
Induction Countdown Control	Yes
Electrical requirement	10A
Cassette dimensions (mm)	W930 x D440 x H200
Light dimensions (mm)	W780 x D30 x H20
Warranty	3 years (6 years when Sirius ducting is used)



**INDUCTION  
SAFE**



**ALUMINIUM  
FILTER**



**REMOTE  
CONTROL**



**VOICE  
CONTROL**



**POWERFUL  
AIRFLOW**



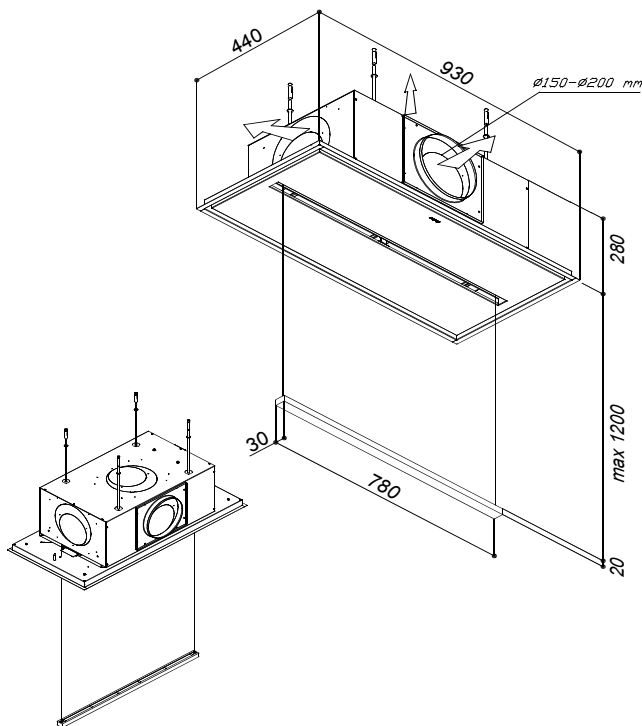
**DYNAMIC  
LIGHTING**



**EUROPEAN-  
MADE MOTOR**

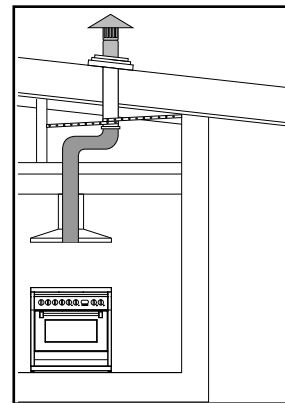


**HANDCRAFTED  
IN ITALY**

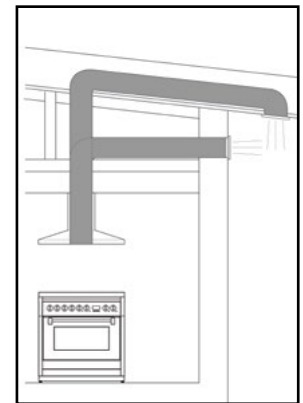


\*Outdoor offboard motors have a marine grade finish as standard for added resistance to coastal weather elements.

## Ducting options



Roof ducted



Eave or Wall ducted

- Can be used with SEM 11, SEM 21, SEM 51
- Use semi-rigid or rigid ducting, not fully flexible foil ducting.
- Fewer bends means a quieter and more powerful extraction.
- Extra 3 years warranty when Sirius ducting is used (total 6 years).
- See [support page](#) on Sirius website for installation videos and FAQs.

08/2021

WARNING: technical specifications and product sizes can be varied by the manufacturer, without notice. Cut outs for appliances should only be by physical product measurements. The above information is indicative only.

Distributed by Arisit Pty Ltd