

# 900mm CEILING CASSETTE RANGEHOOD - 'THE ORIGAMI'

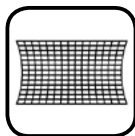
SLT972EMEL



Rangehood type	Ceiling cassette
Control	Remote control
Speed settings	4
Ducting diameter	150mm
Extraction type	Offboard motor
Motor*	SEM11, SEM21, SEM51
Filter	Aluminium filter
Lighting	Dynamic adjustable lighting
Induction Countdown Control	Yes
Electrical requirement	10A
Dimensions (mm)	W900 x D550 x H310
Warranty	3 years (6 years when Sirius ducting is used)



**INDUCTION  
SAFE**



**ALUMINIUM  
FILTER**



**REMOTE  
CONTROL**



**SPEED  
SETTINGS**



**POWERFUL  
AIRFLOW**



**DYNAMIC  
LIGHTING**

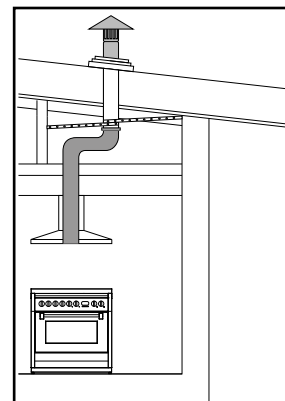
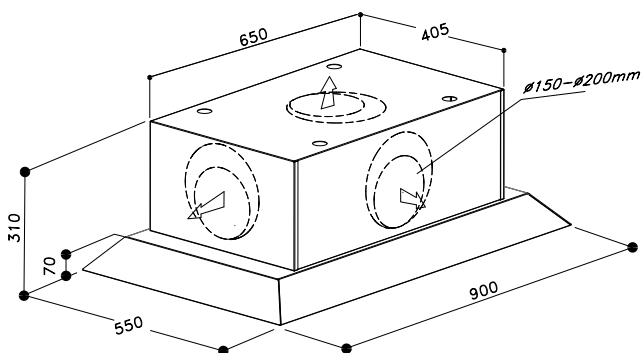


**EUROPEAN-  
MADE MOTOR**

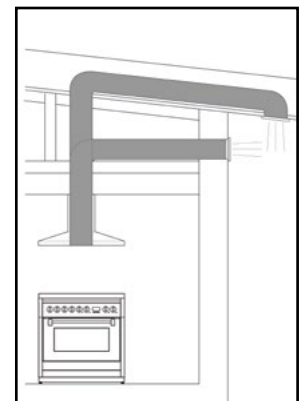


**HANDCRAFTED  
IN ITALY**

## Ducting options



Roof ducted



Eave or Wall ducted

\*Outdoor offboard motors have a marine grade finish as standard for added resistance to coastal weather elements.

- Can be used with SEM11, SEM21, SEM51
- Use semi-rigid or rigid ducting, not fully flexible foil ducting.
- Fewer bends means a quieter and more powerful extraction.
- Extra 3 years warranty when Sirius ducting is used (total 6 years).
- See [support page](#) on Sirius website for installation videos and FAQs.

WARNING: technical specifications and product sizes can be varied by the manufacturer, without notice. Cut outs for appliances should only be by physical product measurements. The above information is indicative only.

Distributed by Arisit Pty Ltd