

# SLEM107S1200

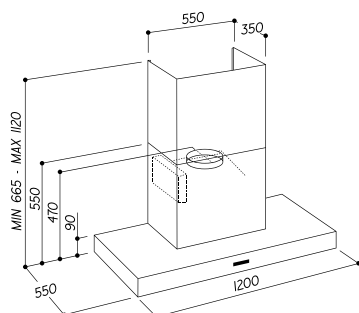
1200MM STAINLESS STEEL CANOPY



## SPECIFICATIONS

<b>Rangehood Type</b>	Canopy
<b>GTIN</b>	9351116001766
<b>Country of Origin</b>	Handcrafted in Italy
<b>Designed to Suit</b>	600-1200mm GAS or INDUCTION
<b>Controls</b>	Buttons
<b>Speed Settings</b>	4
<b>Ducting Diameter</b>	200mm
<b>Recirculating</b>	No
<b>Extraction Type</b>	Offboard Motor
<b>Motor Options</b>	SEM7XS316, SEM8
<b>Extraction Rate</b>	1200m <sup>3</sup> /hr
<b>Filter Type</b>	2x 25mm Stainless Steel Baffle
<b>Noise Level</b>	Depends on motor / installation
<b>Lighting</b>	2 x 3.75W Dimmable and Dynamic Led Strip
<b>Run-on Timer</b>	No
<b>Electrical Requirement</b>	10A
<b>Max Current (W)</b>	563W
<b>Product Dimensions (mm)</b>	W1200 x D550 x H665-1120
<b>Weight</b>	41 kgs
<b>Warranty</b>	3 Years (6 years when Sirius ducting is used)

## LINE DRAWING



## KEY FEATURES



### European Made External Motor

Sirius External Motors (SEM) are designed for quietest hood ventilation. External motors reduce noise by being located away from the hood. Rest easy with our 10-year motor warranty for lasting performance.



### 25mm Stainless Steel Baffle Filters

Baffle filters feature interlocking baffles for effective grease removal, promoting smooth airflow. They're easy to maintain, offer superior filtration with a deep pleat design, and dishwasher safe.



### Powerful Extraction

With an impressive maximum airflow of 1200M<sup>3</sup>/H, this rangehood quickly and effectively removes smoke, steam, heat, odours, and other airborne particles from the kitchen.



### Induction Safe

This rangehood boasts efficient filters and extraction capabilities to effectively manage increased steam and moisture levels resulting from minimal ambient heat compared to gas cooking methods.



### 2 x 3.75W Led Strip

Led lights emit less heat, saving energy and lasting longer, reducing replacement costs. Ideal for eco-friendly homes with excellent lighting quality.



### Hand Crafted in Italy

Sirius Rangehoods, a prestigious Italian brand founded in 1996, is renowned for its bold designs and commitment to premium materials and craftsmanship, making it a top choice for high-end rangehoods.

DISTRIBUTED BY ARISIT PTY LTD

40-50 Mark Anthony Drive, Dandenong South VIC 3175  
Ph: 1300 762 219 Fax: 03 9768 0838 Website: www.arisit.com