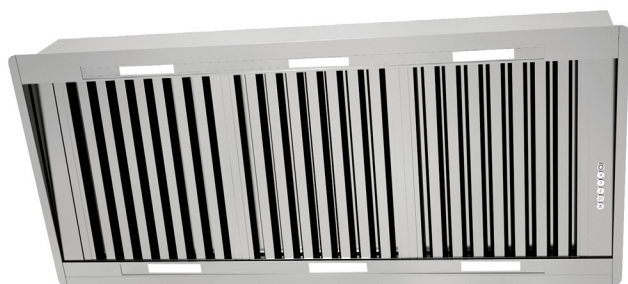
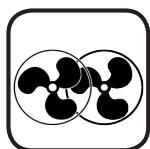


850mm UNDERMOUNT RANGEHOOD

SL920 FRESCO 850



Rangehood type	Alfresco/Undermount/Island
Control	Button
Speed settings	4
Ducting diameter	200mm or 2 x 150mm
Extraction type	Onboard motor
Motor	Twin aluminium motor
Extraction	2000m ³ /h
Filter	25mm stainless steel baffle
Lighting	6 x 2.5W LED lights
Induction Countdown Control	Yes
Electrical requirement	10A
Dimensions (mm)	W856 x D540 x H335
Warranty	3 years (6 years when Sirius ducting is used)



**TWIN
ONBOARD
MOTOR**



**25mm STAINLESS
STEEL FILTERS**



**INDUCTION
SAFE**



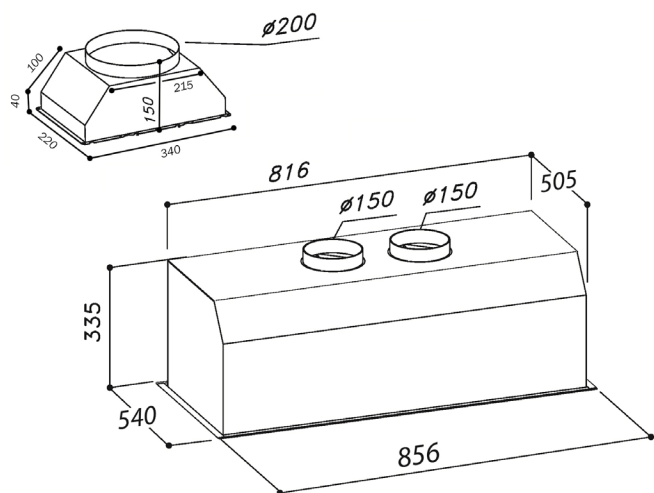
**2000m³/h
AIRFLOW**



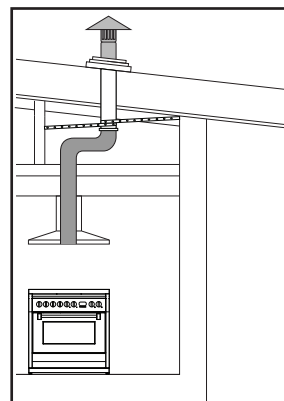
**6 x 2.5W LED
LIGHTS**



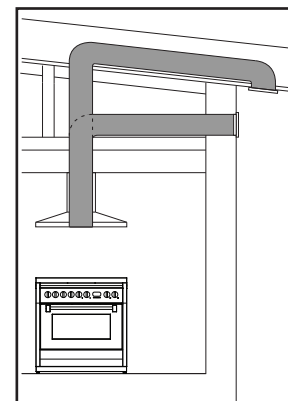
**HANDCRAFTED
IN ITALY**



Ducting options



Roof ducted



Eave or Wall ducted

- Use semi-rigid or rigid ducting, not fully flexible foil ducting.
- Fewer bends means a quieter and more powerful extraction.
- Extra 3 years warranty when Sirius ducting is used (total 6 years).
- See [support page](#) on Sirius website for installation videos and FAQs.

WARNING: technical specifications and product sizes can be varied by the manufacturer, without notice. Cut outs for appliances should only be by physical product measurements. The above information is indicative only.

Distributed by Arisit Pty Ltd