

# SL906EMELXD85

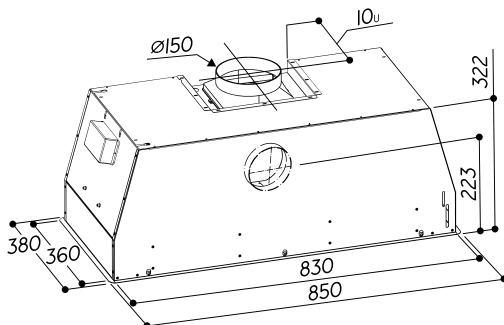
850MM OFFBOARD UNDERMOUNT - EXTRA DEEP



## SPECIFICATIONS

Rangehood Type	Undermount
GTIN	9351116006150
Country of Origin	Handcrafted in Italy
Designed to Suit	600-900mm GAS or INDUCTION
Controls	Buttons, APP & Voice Controls
Speed Settings	4
Ducting Diameter	150mm
Recirculating	No
Extraction Type	Offboard Motor
Motor Options	SEM 11, SEM 21, SEM 51
Extraction Rate	1200M3/H Airflow
Filter Type	2x 25mm Stainless Steel Baffle
Noise Level	Depends on motor / installation
Lighting	1 x 6W Led Strip - Dynamic and Dimmable
Run-on Timer	Custom
Electrical Requirement	10A
Max Current (W)	506W
Product Dimensions (mm)	W850 x D380 x H322
Cut-Out Dimensions (mm)	W830 x D365
Weight	21kg
Warranty	3 Years (6 years when Sirius ducting is used)

## LINE DRAWING



## KEY FEATURES



### Offboard Green Energy Motor

Power, performance and quiet efficiency are the most important elements in the performance of your Sirius hood. Sirius has worked tirelessly to create a product that ticks all the boxes.



### Extra Deep Model

An extra deep range hood is more effective in capturing and removing cooking odours and airborne particles, providing superior ventilation and a cleaner kitchen environment.



### 25mm Stainless Steel Baffle Filters

Baffle filters feature interlocking baffles for effective grease removal, promoting smooth airflow. They're easy to maintain, offer superior filtration with a deep pleat design, and dishwasher safe.



### Powerful Extraction

Sirius offers powerful rangehoods, providing superior extraction for all cooking styles. With revolutionary technology and advanced engineering, they're ideal for any kitchen.



### Induction Safe

This rangehood boasts efficient filters and extraction capabilities to effectively manage increased steam and moisture levels resulting from minimal ambient heat compared to gas cooking methods.



### App Control

Rangehood compatible with Sirius app for mobile control via Wi-Fi. Download from Apple App or Google Play store. Adjust lighting, fan speed, and receive filter cleaning alerts.



### Dynamic Lighting

Sirius Rangehoods have a dynamic lighting system that can be adjusted from 2700 to 6500 kelvin to match other lighting in the room. Adjustable temperature, and dimmable. Maximum design flexibility.

DISTRIBUTED BY ARISIT PTY LTD

40-50 Mark Anthony Drive, Dandenong South VIC 3175  
Ph: 1300 762 219 Fax: 03 9768 0838 Website: www.arisit.com