

SL906XDTM85

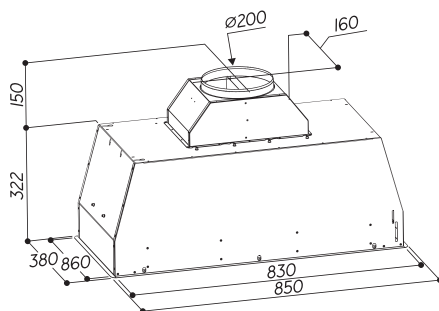
850MM ONBOARD TWIN MOTOR UNDERMOUNT
- EXTRA DEEP



SPECIFICATIONS

Rangehood Type	Undermount
GTIN	9351116006075
Country of Origin	Handcrafted in Italy
Designed to Suit	600-900mm GAS or INDUCTION
Controls	Buttons
Speed Settings	4
Ducting Diameter	200mm
Recirculating	No
Extraction Type	Onboard Motor
Motor	Green Energy Twin Aluminium Motor
Extraction Rate	2000m ³ /hr
Filter Type	2 x 25mm Stainless Steel Baffle
Noise Level	42dBa(min) to 66dBa(max)
Lighting	1x 6W Led Strip - Dynamic and Dimmable
Run-on Timer	10 Minutes
Electrical Requirement	10A
Max Current (W)	556W
Product Dimensions (mm)	W850 x D380 x H322
Cut-Out Dimensions (mm)	W830 x D360
Weight	25kg
Warranty	3 Years (6 years when Sirius ducting is used)

LINE DRAWING



KEY FEATURES



Green Energy Twin Aluminium Motor

Perfect for large and open kitchens, Sirius twin motor hoods boast powerful 2000M³/H extraction to efficiently remove steam, heat, smoke, and odours. With four speeds options for tailored ventilation.



Extra Deep Model

An extra deep range hood is more effective in capturing and removing cooking odours and airborne particles, providing superior ventilation and a cleaner kitchen environment.



25mm Stainless Steel Baffle Filters

Baffle filters feature interlocking baffles for effective grease removal, promoting smooth airflow. They're easy to maintain, offer superior filtration with a deep pleat design, and dishwasher safe.



Powerful Extraction

With a twin motor this rangehood's impressive maximum airflow of 2000M³/H, quickly and effectively removes smoke, steam, heat, odours, and other airborne particles from the kitchen.



Induction Safe

This rangehood boasts efficient filters and extraction capabilities to effectively manage increased steam and moisture levels resulting from minimal ambient heat compared to gas cooking methods.



Dynamic Lighting

Sirius Rangehoods have a dynamic lighting system that can be adjusted from 2700 to 6500 kelvin to match other lighting in the room. Adjustable temperature, and dimmable. Maximum design flexibility.



Hand Crafted in Italy

Sirius Rangehoods, a prestigious Italian brand founded in 1996, is renowned for its bold designs and commitment to premium materials and craftsmanship, making it a top choice for high-end rangehoods.



4 Speed settings

Sirius Rangehoods offer 4 speed settings. Levels 1 to 3 for light to normal cooking and level 4 for smoky or intense cooking. Covering all your cooking needs.

DISTRIBUTED BY ARISIT PTY LTD

40-50 Mark Anthony Drive, Dandenong South VIC 3175
Ph: 1300 762 219 Fax: 03 9768 0838 Website: www.arisit.com