

# SFNbsh 5267

Freestanding freezer with NoFrost and IceTower

◊ Prime



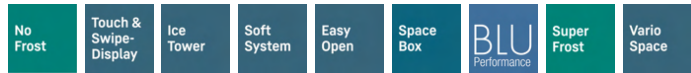
Freestanding

**LIEBHERR**

# SFNbsh 5267

Freestanding freezer with NoFrost and IceTower

◊ Prime



← 60 →



Energy consumption (kWh/yr) / Star rating	181 <sup>1</sup> / 5.5
Total volume	278 l <sup>2</sup>
Noise output	34 dB(A)
Climate rating	SN-T (+10 °C to +43 °C)
Frequency / voltage	50-60 Hz / 220-240 V~
Connection Rating	1.3 A 264.6 W
Door / Side walls	BlackSteel / BlackSteel
Exterior dimensions in cm (h / w / d)	185.5 / 59.7 / 67.5 <sup>1</sup>
<b>Controls</b>	
Type of Control	2.4" TFT Display /Touch und Swipe-display Digital temperature display
SmartDevice compatible	Optional extra SmartDeviceBox required
Door alarm	visual and acoustic
Alarm in case of malfunction	visual and acoustic
<b>Freezer compartment</b>	
Interior light	LED lighting
Number of drawers	7 drawers on integrated drawer guide, VarioSpace Top drawer with convenient tilting function
IceMaker	with fixed 3/4" water connection
Ice cube capacity in 24 hours	0.8 kg
Ice cube stock	8.0 kg
Freezing capacity in 24 hours	18 kg
Temperature rise time	16 h
VarioSpace	yes
<b>Features</b>	
Side-by-Side concept	Side wall heating right, suitable for combination with other refrigerators, freezers and/or wine appliances
Door hinges	Reversible door hinge, left
Replaceable door seal	yes
EAN-Nr.	4016803136576

<sup>1</sup> To achieve the indicated energy consumption level, the wall spacers provided with the appliance must be used. These increase the appliance depth by approximately 1.5 cm. If the wall spacers are not used, the appliance will remain fully functional, but will have a slightly higher energy consumption level.

<sup>2</sup> In accordance with Regulation EU 2019/2016 we indicate the total volume to the nearest integer (rounded off) and the volume of the frozen compartments and refrigeration compartments to one place after the decimal point.

# Features

---



## NoFrost

When you open your freezer, you want to see frozen food – and certainly not ice and frost. NoFrost protects the freezer compartment from unwanted icing, which consumes a lot of energy and can be expensive. NoFrost means no more tedious and time-consuming defrosting of the freezer compartment, more time for other things – and saving money.



## BlackSteel

BlackSteel is a highly visually attractive black stainless steel with an extraordinary appearance. It has a unique cross-section polish with a deep grain. The SmartSteel finishing lends a timeless elegance with a special depth of field. At the same time, it significantly reduces the visibility of fingerprints, is particularly easy to clean, and is resistant to scratches.



## Touch & Swipe display

Control of your Liebherr at your fingertips: thanks to the Touch & Swipe display, you can operate your refrigerator intuitively and with ease. Simply select functions such as SuperCool on the colour display by tapping and swiping. The temperature is controlled just as easily. And, what if you are not actively using the display? Well, it then shows you the actual temperature.



## IceTower

You will never run out of cold drinks at your party. The IceTower, which holds 8 kg of ice cubes, makes sure of that. The ice cube scoop and the pull-out tray on telescopic rails allow easy access to the ice cubes. An extra insert tray means you can also store less ice and make room for frozen food underneath. The adjacent drawer provides storage space for frozen goods.



## SpaceBox

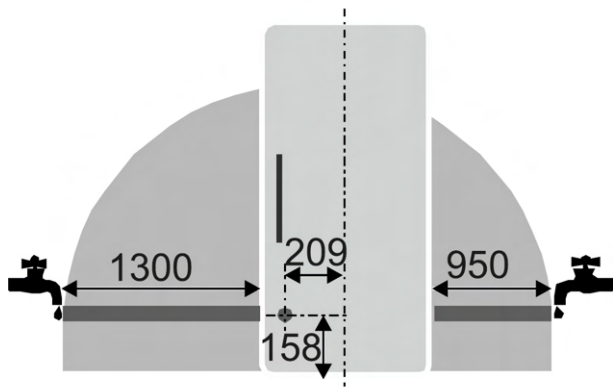
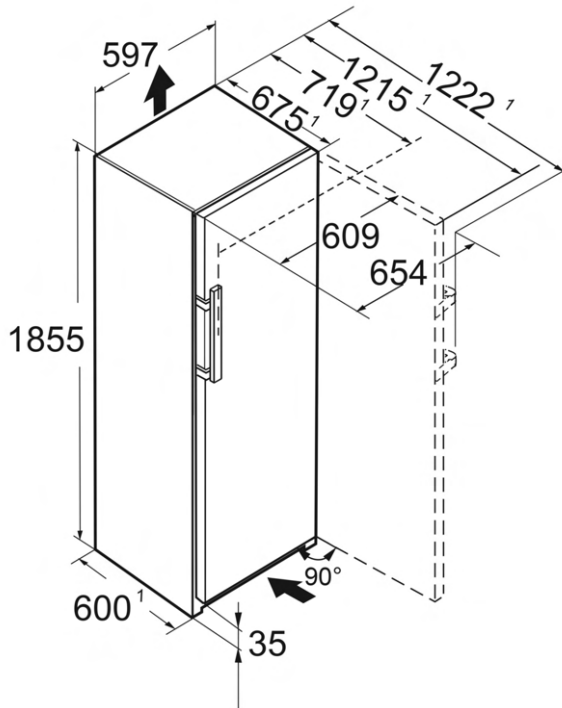
Accommodate the “big stuff” in your Liebherr: An XL turkey or a multi-layered ice cream cake simply needs more space. Your Liebherr has the SpaceBox for exactly that purpose: At a generous height of 250 mm, it offers lots of extra space, even for large frozen goods. Helpful for you when storing food flexibly.



## SoftSystem

From breakfast to a midnight snack – a fridge needs to be open and closed on many occasions. And your Liebherr makes this a lot of fun. With the SoftSystem, your fridge door closes softly and safely, and in a way which is pleasantly quiet and light. Bottles stored in the inside door remain securely in place – nothing rattles or wobbles.

# Technical drawing



Products and their details are staged for advertising purposes. Whilst every effort is made to ensure all specifications and information in this flyer are accurate, Liebherr reserves the right to make changes without notification. Where actual appliance measurements, specifications, and ratings are crucial, we recommend that the actual appliance installation instructions that accompany each appliance be checked. Liebherr will not be liable for any damage. (23.07.2024)

