

## SFA63M3TVX 60CM CLASSIC THERMOSEAL OVEN



EAN 8017709289317

Dimensions	597mmW x 592mmH x 548mmD
Finish	Fingerprint proof stainless steel Eclipse high visibility black glass
Total functions	9 incl. defrost
Display	Text on panel
Capacity	79L
Cooking levels	5
Thermostat	50 - 250°C
Installation	Built-in
Programmability	End of cooking alarm, minute minder
Cleaning	Vapour Clean
Lighting	1 x 40W halogen
Supplied accessories	1 x Chrome grill insert 2 x Chrome shelves 1 x 20mm enamelled baking tray 1 x 40mm enamelled baking tray
Optional accessories	PRTX - Pizza Stone PPR2 - Gourmet Cooking Stone PALPZ - Single-handle pizza paddle 38508/510 - Baking Dish GT1P-2 - Partial telescopic guides GT1T-2 - Total telescopic guides
Safety	Cool Door technology, thermal protection system
Power	220-240V, 50/60Hz 3000W 13A Connection
Warranty	Two years parts and labour

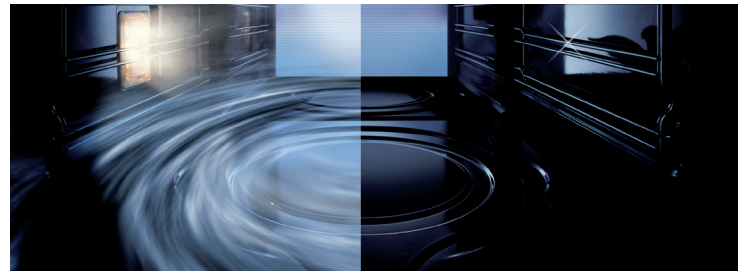
### THERMOSEAL

The seal of Smeg's quality, technical excellence and taste: succulent roasts, crisp pastry and impressive baking is achieved in Smeg's unique, perfectly controlled cooking environment. Thermoseal maintains the perfect atmospheric balance in the cavity for optimum cooking conditions.



### VAPOUR CLEAN

Smeg's Ever Clean enamel's tough surface has a glassy finish, so a simple spray of water and detergent around the cavity in conjunction with the Vapour Clean option will generate heat and steam to soften any grease for a wipe-clean result.



### EVER CLEAN ENAMEL

The superior quality of Smeg's patented Ever Clean enamel, which is highly durable and easy to clean, is the result of nearly 70 years of enameling expertise; ensuring long-life performance of every Smeg oven.



### COOL DOOR TECHNOLOGY

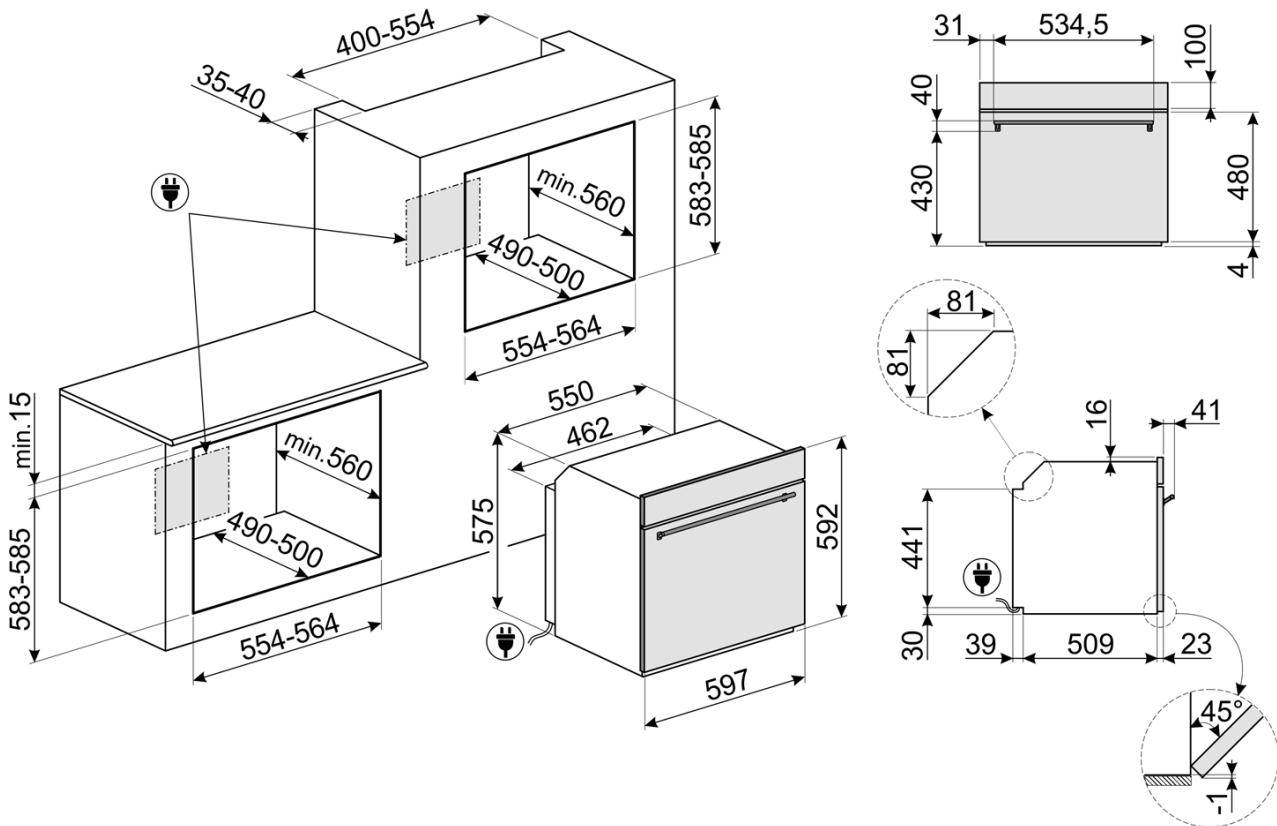
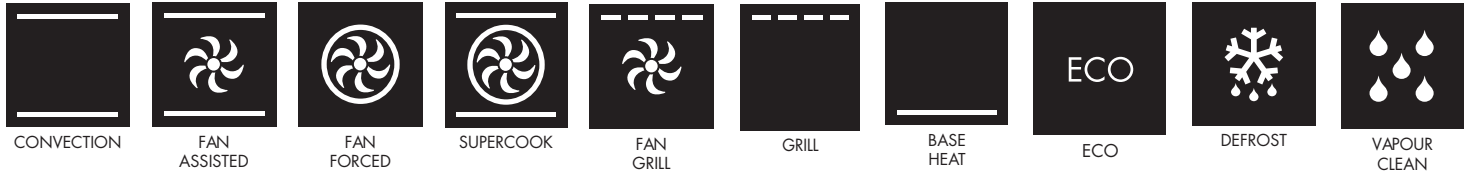
Smeg's Cool Door system is a combination of technologies which is driven by a 22 blade tangential fan and includes a heat exchange baffle system. It draws cool air up through the panes of heat-reflective glass in the door, making it safe to the touch even when the oven is at pyrolytic temperatures of around 500°C.

ID200318

# SFA63M3TVX

## 60CM CLASSIC THERMOSEAL OVEN

### Functions



PLEASE NOTE: drawings are not to scale. They are to assist only.  
WARNING: technical specifications and product sizes can be varied by the manufacturer without notice.  
Cutouts for appliances should only be by physical product measurements. The above information is indicative only.