

**Serie | 8, fully-integrated dishwasher,  
60 cm  
SBV8EDX01A**



**Optional accessories**

SGZ1010 :  
SMZ2014 :  
SMZ5001 : Baby care kit  
SMZ5003 :  
SMZ5015 :  
SMZ5045 :  
SMZ5150AU : Kick panel stainless steel  
SMZ5300 :

**Better drying results via AutoDoor open technology and comfortable loading with extra 3rd rack for all your difficult to place items.**

- **EfficientDry:** improved drying performance by automatic door opening.
- **Max Flex Pro baskets:** highest flexibility and protection for your dishes, with superior sliding performance.
- **Rackmatic:** top basket adjustable on three levels offers additional space, especially for tall dishes.
- **Extra Space 3rd basket:** additional top rack providing more loading space for small kitchen items.
- **Silence Plus:** remarkably quiet at 42dB.

**Technical Data**

|   |  |
|---|--|
| Water consumption (l) :                             | 11.5   |
| Total annual energy consumption (kWh) 220 days :    | 136  |
| Total annual water consumption (l) 220 days :       | 2530   |
| Built-in / Free-standing :                          | Built-in   |
| Removable top :                                     | No   |
| Door panel options :                                | Not possible   |
| Height of removable worktop (mm) :                  | 0  |
| Height of the product (mm) :                        | 865  |
| Adjustable feet :                                   | Yes - all from front   |
| Maximum adjustability feet (mm) :                   | 60   |
| Net weight (kg) :                                   | 45.317   |
| Gross weight (kg) :                                 | 47.5   |
| Connection Rating (W) :                             | 2400   |
| Current (A) :                                       | 10   |
| Voltage (V) :                                       | 220-240  |
| Frequency (Hz) :                                    | 50; 60   |
| Length electrical supply cord (cm) :                | 175  |
| Plug type :   | AU plug  |
| Length inlet hose (cm) :                            | 165  |
| Length outlet hose (cm) :                           | 190  |
| Hidden heating element :                            | Yes  |
| Water protection system description :               |  |
| Triple water protection :                           | 24h  |
| Child safety devices :                              | No   |
| Water softener (permanently deactivated/disabled) : | Yes  |
| Adjustable upper basket :                           | Rackmatic 3-stage  |
| Cup Shelf :   | 2  |
| Cutlery Basket :                                    | Standard   |
| Optional accessories :                              | SGZ1010, SMZ2014, SMZ5001, SMZ5003, SMZ5015, SMZ5045, SMZ5150AU, SMZ5300 |
| Included accessories 2 :                            | baking-sheet spray head grey, vapor barrier plate                        |
| Number of place settings :                          | 14   |
| Color / Material panel :                            | Grey   |
| Dimensions of the product (HxWxD) :                 | 865 x 598 x 550  |
| Dimensions of the packed product (HxWxD) (mm) :     | 920 x 670 x 660  |



## Serie | 8, fully-integrated dishwasher, 60 cm SBV8EDX01A

### Better drying results via AutoDoor open technology and comfortable loading with extra 3rd rack for all your difficult to place items.

#### Capacity

- 14 place settings

#### Consumption rates

- 4 Star energy rating, 5 Star WELS water rating
- 11.5 litres water consumption per wash and 230 kwh energy consumption per year, based on the Eco AU 45 °C program with a cold water connection

#### Design

- High definition TFT display screen
- SoftTouch buttons: Electronic soft-touch activated buttons
- Hidden control buttons integrated into the top of the door
- Stainless steel interior tub

#### Wash Programs and Options

- 8 Programmes:
  - Eco Wash : Energy efficient wash & dry. Mixed loads & soil levels,
  - Auto Intensive: for pots & pans and baked-on food & grease.,
  - Auto wash: Wash & dry program for mixed loads and soil levels,
  - Auto Gentle: Automatic wash & dry program for delicate and lightly soiled dishes,
  - Quick 1h: quick wash & dry for mixed loads & soil levels,
  - Express wash: Wash only for lightly soiled dishes,
  - ExtraQuiet: extended quiet wash & dry program for mixed loads & soil levels,
  - Favourite: set or download your favourite combination
- 5 special options:
  - Remote Start: allows remote control and monitoring via HomeConnect,
  - EfficientDry: Automatic door opening for improved drying and energy efficiency,
  - Intensive Zone: Intensive wash for items in the bottom basket,
  - HygienePlus: Reduces bacteria from utensils & crockery,
  - Speedperfect: reduce wash time even after cycle has started
- Machine care: maintains your dishwasher's optimum performance and hygiene Option

#### Performance

- Efficient Dry Auto Door Opening: improved drying result via automatic door opening at end of cycle
- Extra Clean Zone: Provides an even better cleaning result for items placed directly over the three rotating nozzles in the top basket
- DosageAssist™: Maximises the effectiveness of detergent tablets. The tablet is dropped into a specially engineered

tray and is completely dissolved. For superior cleaning performance and a quieter wash.

- EcoSilence Drive® quiet and energy-efficient brushless motor (BLDC)
  - BLDC Main Pump: Variable water & spray pressure to achieve optimum cleaning results
  - BLDC Drain Pump: Fast and extra quiet draining of water, no gurgling sounds
- AutoBrilliance™: Automatic detergent and rinse aid sensor
- 5 Spray levels for maximum water contact and optimum wash results
- 3 stage self-cleaning filter system: design that helps reduce the need to wash the filter and prevents blockages
- Aqua and load sensor for water and energy efficiency

#### Flexibility

- VarioFlex Plus basket system with red coloured touchpoints provides total flexibility for all loading requirements
- Extra space 3rd rack for odd shaped items, bowls, mugs and large utensils
- RackmaticPlus™: 3-stage top basket can be adjusted to three height levels to maximise convenience
- Ball bearing on top basket for an easy glide
- Low friction wheels on bottom basket
- Anti-slip protection strips in upper rack
- Rack Stopper to prevent derailing of bottom basket
- 6 foldable plate racks in top basket
- 8 foldable plate racks in bottom basket
- Glass rack in lower basket for tall stemmed glasses
- Moveable cutlery basket in lower basket
- Removable knife shelf in 3rd basket

#### Convenience

- HomeConnect via WiFi Connectivity
- Very quiet operation - 42 dB
- Timelight: remaining wash cycle time is projected on to the floor whilst the dishwasher is operating
- Audible program end
- Time delay start: Delay program start time by 1-24 hours to suit your schedule
- Large item spray head: For washing extra large items such as baking trays, Vapour barrier protection plate

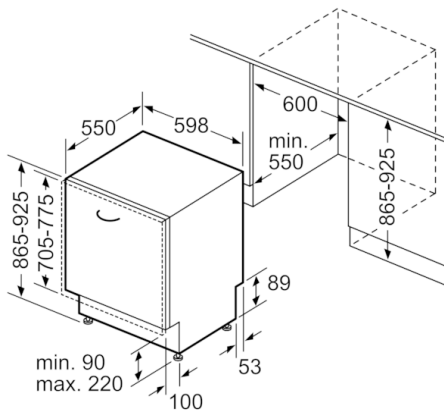
#### Safety

- AquaStop™ Plus: Water supply device with lifetime anti-flood protection

#### Product Dimensions (H x W x D)

- Height 865-925 x Width 598 mm x Depth 550 mm

**Serie | 8, fully-integrated dishwasher, 60 cm  
SBV8EDX01A**



measurements in mm