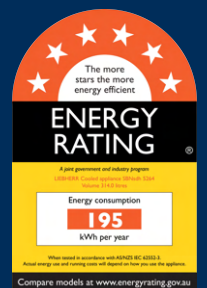


SBNsdh 5264

Fridge-freezer with BioFresh and NoFrost

Prime



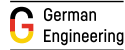
Freestanding

LIEBHERR

SBNsdh 5264

Fridge-freezer with BioFresh and NoFrost

○ Prime



← 60 →



Energy consumption (kWh/yr) / Star rating	195 ¹ / 6.0
Total volume	314 l ²
Volume	BioFresh compartment: 181 l / Freezer compartment: 133 l
Noise output	36 dB(A)
Climate rating	SN-T (+10 °C to +43 °C)
Frequency / voltage	50-60 Hz / 220-240 V~
Connection Rating	1.4 A 183 W
Door / Side walls	SmartSteel / silver
Exterior dimensions in cm (h / w / d)	185.5 / 59.7 / 67.5 ³
Controls	
Type of Control	2.4" TFT Display / Touch und Swipe-display Digital temperature display for BioFresh and freezer compartments
SmartDevice compatible	Optional extra SmartDeviceBox required
Door alarm	visual and acoustic
Alarm in case of malfunction	visual and acoustic
Fridge compartment	
Forced air system	PowerCooling with FreshAir activated charcoal filter
Door interior	Premium GlassLine storage shelves with bottle holder, removable VarioBoxes
Bottle shelf	Integrated bottle shelf
Interior light	LED ceiling lighting LED BioFresh lighting
BioFresh-Safes	2 BioFresh safes with SoftTelescopic, 2 Fruit & Vegetable safes
Freezer compartment	
Interior light	LED lighting
Number of drawers	4 drawers
IceMaker	with fixed 3/4" water connection
Ice cube capacity in 24 hours	1.2 kg
Ice cube stock	5.4 kg
Features	
Side-by-Side concept	Side wall heating right, suitable for combination with other refrigerators, freezers and/or wine appliances
Door hinges	Reversible door hinge, left
Replaceable door seal	yes
EAN-Nr.	4016803136798

¹ To achieve the indicated energy consumption level, the wall spacers provided with the appliance must be used. These increase the appliance depth by approximately 1.5 cm. If the wall spacers are not used, the appliance will remain fully functional, but will have a slightly higher energy consumption level.

² In accordance with Regulation EU 2019/2016 we indicate the total volume to the nearest integer (rounded off) and the volume of the frozen compartments and refrigeration compartments to one place after the decimal point.

Features



BioFresh - Fruit & Vege safe

Crunchy salad and strawberries: the most delicate foods deserve a special place so they stay fresh longer – in BioFresh safes. In the Fruit & Vegetable safe the temperature is close to 0 °C. Combined here with the constant humidity, thanks to the air-tight closure, unpackaged fruit and vegetables feel particularly at home. You do not have to adjust anything.



IceMaker (plumbed)

The internal IceMaker, which is permanently plumbed in, provides a constant supply of perfect ice cubes for every occasion. The IceMaker replenishes your supply automatically and can be turned off if needed.



NoFrost

When you open your freezer, you want to see frozen food – and certainly not ice and frost. NoFrost protects the freezer compartment from unwanted icing, which consumes a lot of energy and can be expensive. NoFrost means no more tedious and time-consuming defrosting of the freezer compartment, more time for other things – and saving money.



DuoCooling

DuoCooling uses two completely separate refrigeration circuits to ensure no air is exchanged between the fridge and freezer compartments. The food neither dries out nor is odour transferred. This means throwing less away, shopping less often, but saving more and greater enjoyment.



SmartSteel

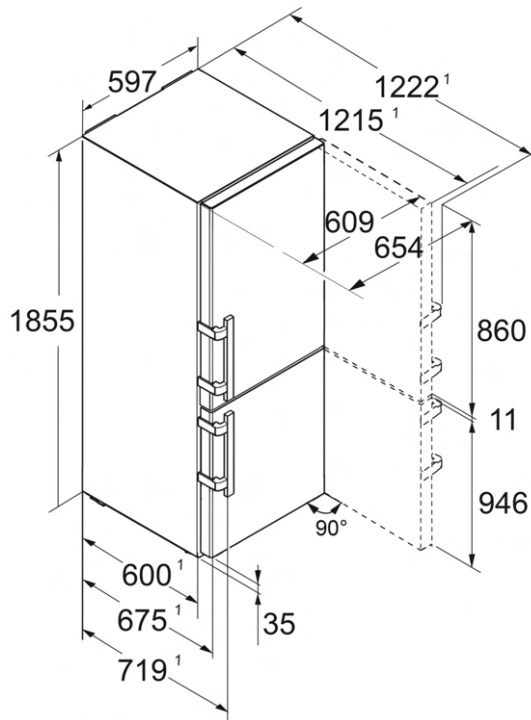
SmartSteel is a special coating which reduces the visibility of fingerprints and smudges, whilst also making the surface insensitive to scratches. The horizontal polish brings out the stainless steel and gives it a silky sheen and a pleasant feel.



VarioTemp

Experience plenty of scope when storing food: Thanks to VarioTemp, you can set the freezer compartment between -15 °C to -26 °C or convert to fridge or cellar compartment when additional cooling space required with an adjustable temperature from -2 °C to +14 °C.

Technical drawing



Products and their details are staged for advertising purposes. Whilst every effort is made to ensure all specifications and information in this flyer are accurate, Liebherr reserves the right to make changes without notification. Where actual appliance measurements, specifications, and ratings are crucial, we recommend that the actual appliance installation instructions that accompany each appliance be checked. Liebherr will not be liable for any damage. (17.07.2024)

