

SA940CXA
90CM WALLMOUNT RANGEHOOD

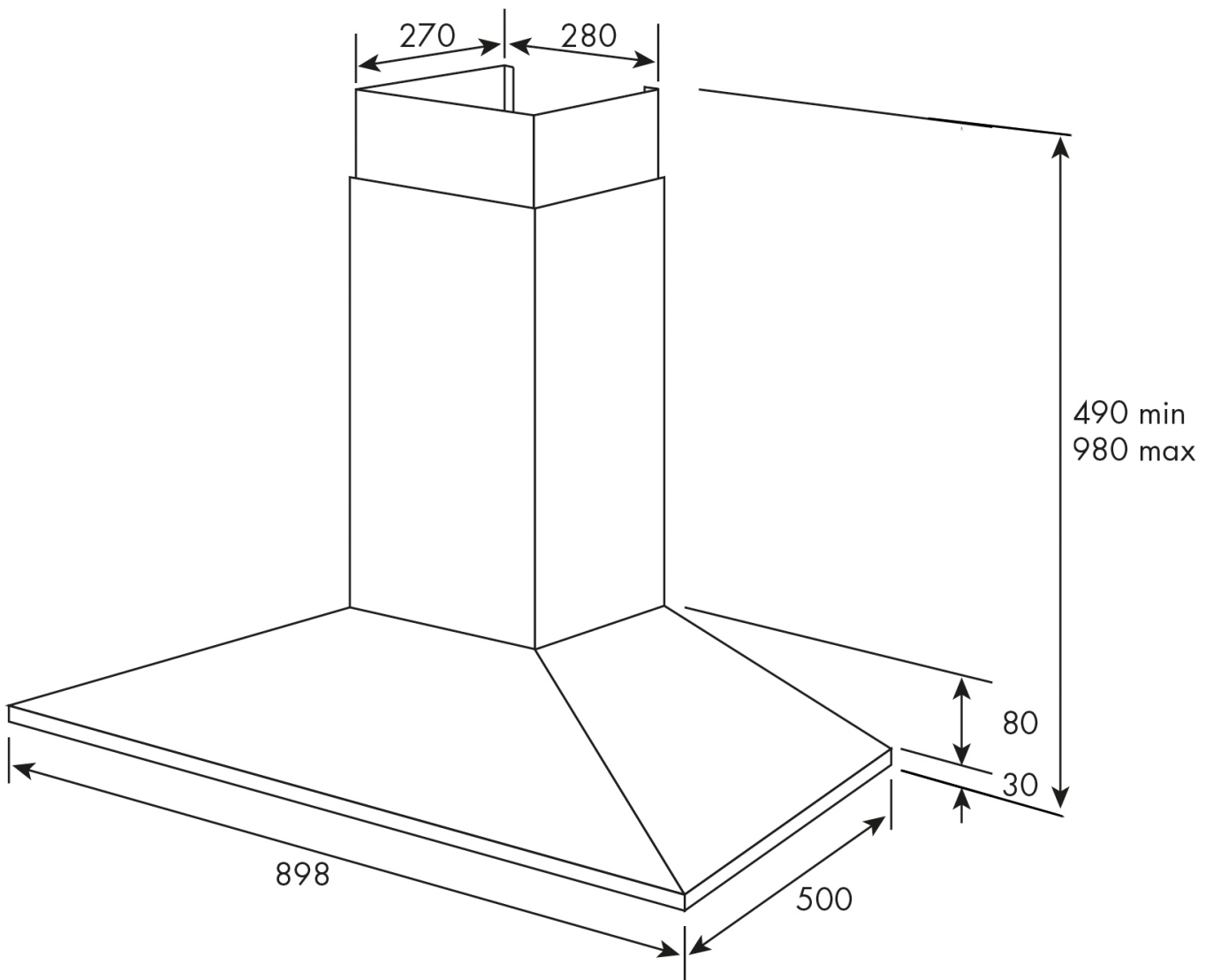


EAN 8017709161347

Finish	stainless steel
Dimensions	898mmW x 500mmD x 1080mmH maximum
Installation	wallmount
Motor	1 x 198W
Max Airflow	900m ³ /hr (IEC 61591)
Noise rating	62 dBA maximum
Illumination	1 x 7W strip LED
Speeds	three
Supplied Accessories	3 x baffle filters 3 x stainless steel honeycomb filter
Optional Accessories	Half wall plate 900mmW x 650mmH #14202 Full wall plate
Ducting Options	duct to atmosphere / recirculate — 150mm diameter ducting required
Power	220–240V, 50Hz 10A (3-pin plug)
Warranty	two years parts and labour



SA940CXA
90CM WALLMOUNT RANGEHOOD



PLEASE NOTE: drawings are not to scale. They are to assist only.
WARNING: technical specifications and product sizes can be varied by the manufacturer without notice.
Cutouts for appliances should only be by physical product measurements. The above information is indicative only.