

# Integrated Refrigerator Freezer, 90.6cm, Ice & Water

Series 7 | Integrated

Panel Ready | Right Hinge

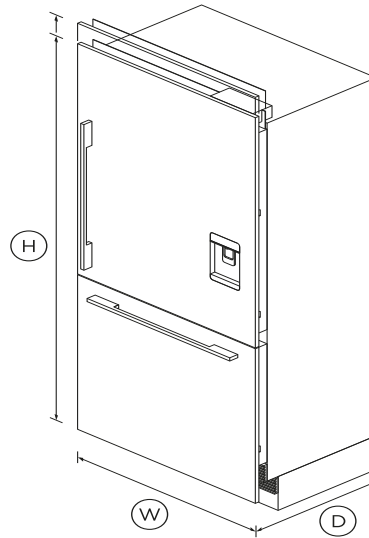


Choose a roomy refrigerator in stylish stainless steel, including slimline water dispenser. Fits flush into surrounding cabinetry.

- ActiveSmart™ technology helps keep food fresher for longer by constantly maintaining the ideal temperature.
- Stainless steel door panel purchased separately - with water dispenser option available
- Water dispenser available with stainless steel door panel accessory
- Spacious bottom freezer with full extension drawer, and internal ice maker with boost function

## DIMENSIONS

Height	2030mm
Width	910mm
Depth	606mm



## FEATURES & BENEFITS

### ACTIVSMART™ FOODCARE

ActiveSmart™ Foodcare learns how you live. It is technology which understands how you use your refrigerator and adjusts temperature, airflow and humidity inside to help keep food fresher for longer.

### ICE MAKER

Fresh ice is always available for you in a dedicated freezer bin. Simply turn it off to free up freezer space or during busy times,

you can boost ice production by up to 30%.

### WATER ON TAP

The slimline dispenser makes it easy to fill almost any sized jug or vessel with cool filtered water and doesn't take up any storage space in your refrigerator.

### SIMPLE STORAGE

This refrigerator is designed to make it simple for you to store, access and remove food. Storage bins give you full access inside when they're pulled open and can be easily removed to clean. Our flexible shelving also gives you more storage options.

### EASY INSTALLATION

Our integrated products are easy to install, whether you are renovating your kitchen or designing a new one. Adjustable front and rear feet allow for uneven floors alongside adjustable door panels that can be customised to match your kitchen.

### CLEVER ENERGY

Your refrigerator adapts to daily use by cooling and defrosting only when needed. This ActiveSmart™ technology means better energy efficiency without compromising on food care.

## SPECIFICATIONS

### Accessories (sold separately)

Contemporary round handle	AHS-ASBI-B
Contemporary square handle	RS91W
Joiner kit	RS91W
Replacement water filter	Models 24xxx, 25xxx-A, 25xxx-
Square fine aluminium handle	AHD5RD9120W
Square fine black handle kit	AHD5RD9120WB
Stainless steel door panel	25792 (2028mm) or
Stainless steel door panel set,	RD9120WRU Part No. 25706
Stainless steel door panel set,	RD9121WRU Part No. 25604

**Capacity**

Volume	477L
Volume freezer	145L
Volume refrigerator	332L

**Consumption**

Energy rating	3.5 star
Energy usage	390kWh/year

**Features**

Adjustable door shelves	6
Adjustable glass shelves	3
Covered door shelves	2
Door alarm	•
Fruit and vegetable bins	2
Full extension runners	•
LED lighting	•
SmartTouch control panel	•
Stackable bottle holders	4
Ultra slim water dispenser	•
Water Filter	842802

**Freezer Features**

Automatic ice maker	•
Bottle chill	•
Door alarm	•
Fast freeze	•
Ice Boost	•
LED lighting	•
Slide Out Pastry Tray	•

**Performance**

ActiveSmart™ Foodcare	•
Adaptive defrost	•
Frost free	•
Frost free freezer	•
Humidity control system	•
Inverter controlled compressor	•
Sabbath mode	•

**Power requirements**

Supply frequency	50Hz
Supply voltage	220 - 230V

**Product dimensions**

Depth	606mm
Height	2030mm
Width	910mm

**Warranty**

Sealed system parts only	5 years
--------------------------	---------

SKU	26539
-----	-------

The product dimensions and specifications in this page apply to the specific product and model. Under our policy of continuous improvement, these dimensions and specifications may change at any time. You should therefore check with Fisher & Paykel's Customer Care Centre to ensure this page correctly describes the model currently available. ? Fisher & Paykel Appliances Ltd 2020



**A PEACE OF MIND SALE**

24 Hours 7 Days a Week Customer Support  
 T 1300 650 590 W www.fisherpaykel.com