

# Integrated French Door Refrigerator Freezer, 80cm, Ice & Water

Series 7 | Integrated

Panel Ready | French hinge



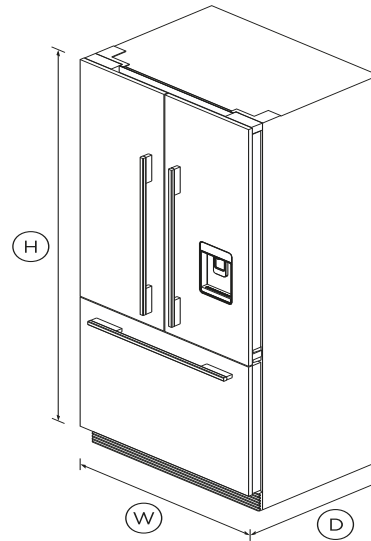
This large capacity refrigerator with bottom freezer seamlessly integrates into your kitchen, fitting flush into your cabinetry.

- ActiveSmart™ technology helps keep food fresher for longer by constantly maintaining the ideal temperature.
- Customise with your own kitchen cabinetry or purchase our stainless steel door panel accessory
- Slimline water dispenser available with stainless steel door panel accessory

- Spacious bottom freezer with full extension drawer and ice maker with boost function

## DIMENSIONS

<b>Height</b>	<b>1798mm</b>
<b>Width</b>	<b>796mm</b>
<b>Depth</b>	<b>606mm</b>



## FEATURES & BENEFITS

### ACTIVESMART™ FOODCARE

ActiveSmart™ Foodcare learns how you live. It's the technology that understands how you use your refrigerator and adjusts the temperature, airflow and humidity inside to help keep food fresher for longer.

### FLEXIBLE STORAGE

Designed to make it simple for you to store, access and remove food. Storage bins give you full access inside when they're pulled open and can be easily removed to clean. Our flexible shelving also gives you more storage options.

### WATER DISPENSER

The slimline dispenser makes it easy to fill almost any sized jug or vessel with cool filtered water and doesn't take up any storage space in your fridge.

### ICE MAKER

Fresh ice is always available for you in a dedicated freezer bin. Simply turn it off to free up freezer space, or during busy times you can boost ice production by up to 30%.

### EASY CLEANING

Secure, spill-safe glass shelves easily capture any drips or leaks, and can be easily removed for fast and easy cleaning.

### BEAUTIFUL LIGHTING

LED lighting illuminates the interior with a crisp, clean glow for enhanced visibility. Our energy saving LEDs use less power than comparable halogen lights.

## SPECIFICATIONS

### Accessories (sold separately)

Contemporary round handle	<b>AHSRS80A</b>
Contemporary square handle	<b>AHD3RS80A</b>
Matching Replacement Water	<b>FWC3 (made after 2018),</b>
Professional round flush handle	<b>AHP3RD80A</b>
Square fine aluminium handle	<b>AHD5RD80A</b>
Square fine black handle kit	<b>AHD5RD80AB</b>
Stainless steel door panel	<b>RD80U</b>

### Capacity

Volume	<b>417L</b>
--------	-------------

Volume freezer	<b>129L</b>
Volume refrigerator	<b>288L</b>

---

### Consumption

Energy rating	<b>3 star</b>
Energy usage	<b>444kWh/year</b>

---

### Features

Adjustable door shelves	<b>6</b>
Adjustable glass shelves	<b>3</b>
Covered door shelves	<b>2</b>
Door alarm	<b>•</b>
Fruit and vegetable bins	<b>2</b>
LED lighting	<b>•</b>
SmartTouch control panel	<b>•</b>
Soft close doors	<b>•</b>
Stackable bottle holders	<b>4</b>
Ultra slim water dispenser	<b>•</b>

---

### Freezer Features

Automatic ice maker	<b>•</b>
Bottle chill	<b>•</b>
Door alarm	<b>•</b>
Fast freeze	<b>•</b>
Ice Boost	<b>•</b>
LED lighting	<b>•</b>
Large plastic bins	<b>•</b>
Slide Out Pastry Tray	<b>•</b>
Small plastic bins	<b>•</b>

---

### Performance

ActiveSmart™ Foodcare	<b>•</b>
Adaptive defrost	<b>•</b>
Frost free freezer	<b>•</b>
Humidity control system	<b>•</b>
Inverter controlled compressor	<b>•</b>
Sabbath mode	<b>•</b>

---

### Power requirements

Rated current	<b>10A</b>
Supply frequency	<b>50Hz</b>
Supply voltage	<b>230V</b>

---

### Product dimensions

Depth	<b>606mm</b>
Height	<b>1798mm</b>
Width	<b>796mm</b>

---

### Warranty

Parts and labour	<b>2 years</b>
Sealed system parts only	<b>5 years</b>

---

SKU	<b>26518</b>
-----	--------------

---

The product dimensions and specifications in this page apply to the specific product and model. Under our policy of continuous improvement, these dimensions and specifications may change at any time. You should therefore check with Fisher & Paykel's Customer Care Centre to ensure this page correctly describes the model currently available. ? Fisher & Paykel Appliances Ltd 2020

---

### Other product downloads available at fisherpaykel.com

- [↓](#) Energy Label
- [↓](#) Service & Warranty
- [↓](#) User Guide Integrated Refrigerator Freezer
- [↓](#) Installation Guide Integrated French Door Refrigerator Freezer



### A PEACE OF MIND SALE

**24 Hours 7 Days a Week Customer Support**

**T 1300 650 590 W www.fisherpaykel.com**