

# Integrated Column Refrigerator, 76cm

Series 11 | Integrated

Panel Ready | Left hinge

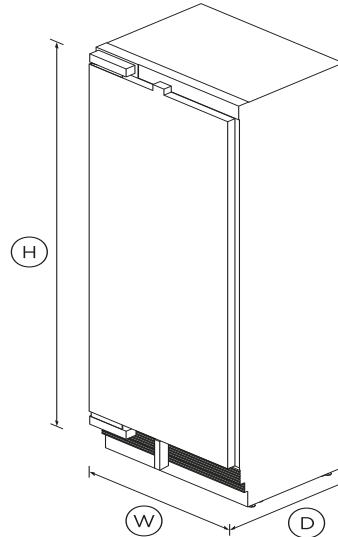


Install it separately or pair with another Column for true design freedom - this model is left hinge with stainless steel interior.

- ActiveSmart™ technology helps keep food fresher for longer by constantly maintaining the ideal temperature.
- Variable Temperature Zone lets you change a compartment to Fridge, Pantry or Chill for optimal storage
- Customise with your own kitchen cabinetry or purchase our stainless steel door panel accessory

## DIMENSIONS

Height	2134mm
Width	756mm
Depth	610mm



## FEATURES & BENEFITS

### VARIABLE TEMPERATURE ZONES

When it comes to optimal food preservation, one temperature does not fit all. Create the perfect climate for different food and drink types using Variable Temperature Zones. Change a compartment to Fridge, Pantry or Chill Mode for maximum everyday convenience, or change modes for additional capacity when you need it.

### PANTRY MODE

Not everything benefits from cold storage. Pantry Mode (11 to

13°C) is the perfect climate to store foods that benefit from a cool, dark place, including bread, many types of fruit, bananas, avocados, tomatoes, nuts, grains and cereals.

### MIX & MATCH

Integrated Column Refrigeration gives you the freedom to mix and match. Different sized Column Fridges and Freezers can be installed separately or paired. Finish them with our stainless steel door panels or customise to match your own kitchen cabinetry.

### CLEVER ENERGY

Our ActiveSmart™ Foodcare Refrigerator Freezers adapt to daily use by cooling and defrosting only when needed. This means your refrigerator uses the energy it needs without compromising on food care.

### APPEALING ILLUMINATION

Bright LEDs light up each ceiling, shelves, bins and trays in both refrigerator and freezer, making it easy to find your food and creating a welcoming glow in your kitchen for those midnight snacks.

### DESIGN QUALITY

The premium design and quality finish includes a steel interior lining as well as full-extension metal shelf runners for easy access, and robust glass shelving.

### EASY INSTALL

Integrated Column Refrigerators and Freezers have been developed to make their installation easy. The joiner kit is included when pairing refrigerators and freezers. All models come with front adjustable levelling feet and they've been designed to easily slide into place as separate units.

## SPECIFICATIONS

### Accessories (sold separately)

1220mm Stainless steel toe	AKRS12210
1372mm Stainless steel toe kick	AKRS13710
1524mm Stainless steel toe	AKRS15210

1981mm Stainless steel toe kick	<b>AKRS19810</b>
2134mm Stainless steel toe	<b>AKRS21310</b>
762mm Stainless steel toe kick	<b>AKRS7610</b>
Contemporary round handle	<b>AHS-RD21</b>
Contemporary square handle	<b>AHD3-RD21</b>
Joiner kit	<b>AJ-RS21LR</b>
Professional round flush handle	<b>AHP3RDSF</b>
Square fine aluminium handle	<b>AHD5RDSF</b>
Square fine black handle kit	<b>AHD5RDSFB</b>
Stainless steel door panel	<b>RD7621L10D</b>
Stainless steel door panel	<b>RD7621R10D</b>

**Capacity**

Volume	<b>463L</b>
Volume refrigerator	<b>463L</b>

**Consumption**

Energy rating	<b>3.5 star</b>
Energy usage	<b>227kWh/year</b>

**Features**

Adjustable door shelves	<b>4</b>
Adjustable glass cantilevered	<b>•</b>
Adjustable glass shelves	<b>3</b>
Covered door shelves	<b>1</b>
Door alarm	<b>•</b>
Gallon door shelves	<b>1</b>
LED bin lighting	<b>•</b>
LED ceiling lighting	<b>•</b>
LED side lighting	<b>•</b>

SmartTouch interface at	<b>•</b>
Soft-close fruit and vegetable	<b>•</b>
Stackable bottle holders	<b>4</b>
Wi-Fi connectivity	<b>•</b>

**Installation Dimensions**

Minimum inside width of	<b>762mm</b>
Minimum internal depth of	<b>635mm</b>
Minimum internal height of	<b>2134mm</b>

**Performance**

ActiveSmart™ Foodcare	<b>•</b>
Dual evaporator	<b>•</b>
Humidity control system	<b>•</b>
Inverter controlled compressor	<b>•</b>
Sabbath mode	<b>•</b>
Variable food modes	<b>Pantry; Fridge; Chill</b>
Variable temperature zones	<b>2</b>

**Power requirements**

Rated current	<b>10A</b>
Supply frequency	<b>50Hz</b>
Supply voltage	<b>230V</b>

**Product dimensions**

Depth	<b>610mm</b>
Height	<b>2134mm</b>
Width	<b>756mm</b>

**Warranty**

Parts and labour	<b>5 years</b>
Sealed system parts only	<b>5 years</b>

SKU	<b>26161</b>
-----	--------------

The product dimensions and specifications in this page apply to the specific product and model. Under our policy of continuous improvement, these dimensions and specifications may change at any time. You should therefore check with Fisher & Paykel's Customer Care Centre to ensure this page correctly describes the model currently available. ? Fisher & Paykel Appliances Ltd 2020

---

Other product downloads available at [fisherpaykel.com](http://fisherpaykel.com)



Service & Warranty



User Guide Integrated Refrigerator Freezer



Installation Guide



**A PEACE OF MIND SALE**

24 Hours 7 Days a Week Customer Support

T 1300 650 590 **W**[www.fisherpaykel.com](http://www.fisherpaykel.com)