

Freestanding French Door Refrigerator Freezer, 90cm, 614L

Series 7 | Contemporary

Stainless Steel | French hinge

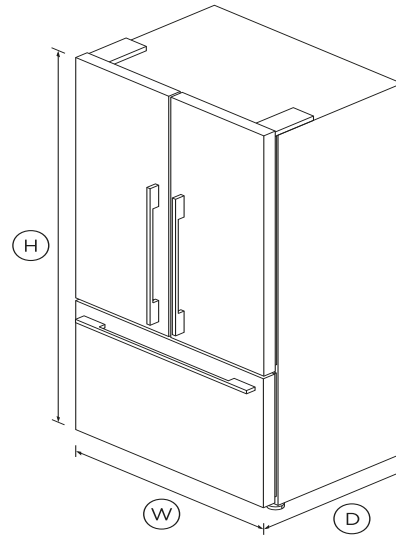


Our largest capacity French Door model has intuitive, flexible storage space, with a stylish stainless steel finish.

- ActiveSmart™ technology helps keep food fresher for longer by constantly maintaining the ideal temperature.
- Spacious bottom freezer with full extension drawer gives easy access to frozen goods.

DIMENSIONS

Height	1790 mm
Width	900 mm
Depth	695 mm



FEATURES & BENEFITS

ActiveSmart™ Foodcare

ActiveSmart™ Foodcare learns how you live. It's technology which understands how you use your fridge and adjusts temperature, airflow and humidity inside to help keep food fresher for longer.

Humidity control

Your fruit and veges need different environments. The humidity control slides in each storage bin create a microclimate that helps keep food fresher for longer.

SPECIFICATIONS

Accessories (sold separately)

Contemporary round handle	25335
---------------------------	-------

Capacity

Freezer	181L
Refrigerator	433L
Total gross capacity	614L

Consumption

Energy rating	3.5
Energy star rating	3.5
Energy usage	448kWh/year

Freezer features

Bottle chill	•
Fast freeze	•
Freezer bins	3
Ice tray	1
Ice trays	1

Performance

ActiveSmart™ Foodcare	•
Adaptive defrost	•
Frost free	•
Frost free freezer	•
Humidity control system	•
Inverter controlled compressor	•

R600a refrigerant	•	Parts and labour	2 years
Sabbath mode	•	Sealed system parts only	5 years

Product dimensions

Depth	695 mm
Depth (excluding handles)	695 mm
Depth (including handles)	735 mm
Height	1790 mm
Height to top of cabinet	1790 mm
Minimum air clearance - each	20 mm
Minimum air clearance - on top	50 mm
Width	900 mm

SKU	25499
-----	-------

TEST The product dimensions and specifications in this page apply to the specific product and model. Under our policy of continuous improvement, these dimensions and specifications may change at any time. You should therefore check with Fisher & Paykel's Customer Care Centre to ensure this page correctly describes the model currently available. ? Fisher & Paykel Appliances Ltd 2020

Other product downloads available at fisherpaykel.com

- [↓](#) User Guide
- [↓](#) Service & Warranty Booklet
- [↓](#) Installation Guide
- [↓](#) Installation Guide (Surround Kit)

Refrigerator features

Adjustable glass shelves	2
Adjustable half width door	4
Covered door shelves	2
Deli storage bins	2
Door alarm	•
Front levelling feet	•
Fruit and vegetable bins	2
Full extension runners	•
Full width door shelves	2
Humidity control crispers	•
LED lighting	•
Rear rollers	•
Single bottle holders	4
SmartTouch control panel	•

Warranty



A PEACE OF MIND SALE

24 Hours 7 Days a Week Customer Support

T 1300 650 590 W www.fisherpaykel.com