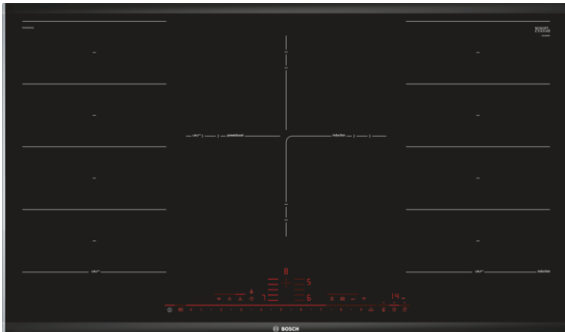


**Serie | 8, Induction hob, 90 cm,
PXV975DV1E**



Optional accessories

- HEZ390011 : Stainless Steel roaster with glas lid
- HEZ390090 : Wok Set consisting of 3 Items
- HEZ390512 : Teppan Yaki (large)
- HEZ390522 : Griddle Plate

**The induction cooktop with PerfectFry:
achieve perfect frying results thanks to
automatic temperature control.**

- **DirectSelect Premium:** Direct, simple selection of the desired cooking zone, power and additional functions.
- **FlexInduction Zone:** Get more flexibility by combining the cooking zones into one big zone for placing multiple small pots or large cookware.
- **PowerBoost:** Up to 50% more power for faster heating.
- **Induction:** Fast, precise cooking, easy cleaning and low energy consumption.

Technical Data

Product name/family :	Cooking zone ceramic
Construction type :	Built-in
Energy input :	Electric
Total number of positions that can be used at the same time :	5
Required niche size for installation (HxWxD) :	51 x 880-880 x 490-500
Width of the product (mm) :	916
Dimensions of the product (mm) :	51 x 916 x 527
Dimensions of the packed product (HxWxD) (mm) :	126 x 1073 x 603
Net weight (kg) :	21.065
Gross weight (kg) :	22.9
Residual heat indicator :	Separate
Location of control panel :	Hob front
Basic surface material :	Ceramic
Color of surface :	Black
Approval certificates :	AENOR, CE
Length electrical supply cord (cm) :	110
EAN code :	4242002944340
Electrical connection rating (W) :	11100
Voltage (V) :	220-240
Frequency (Hz) :	60; 50



4 242002 944340

Serie | 8, Induction hob, 90 cm, PXV975DV1E

**The induction cooktop with PerfectFry:
achieve perfect frying results thanks to
automatic temperature control.**

Dimensions (WxD)

- Appliance measurements (H/W/D): 51 mm x 916 mm x 527 mm
- Installation dimensions: (H x W x D) 51 mm x 880 mm x 490 mm

Technical Information

- Total connected load: 11100 W
- Min. worktop thickness: 30 mm

Design

- Stainless steel side profiles with beveled front
- 5 Induction cooking zones
- Direct Select Premium Touch Control

Size & Power

- 17 power levels for each cooking zone
- Cooking zone front left: FlexZone - 230 mm, 200 mm - 2.2 KW
Cooking zone rear left: FlexZone - 230 mm, 200mm (high) - 2.2 kW
Vector zone - 230 mm, 200 mm - 2.2 kW
Cooking zone right: flex zone - 230 mm, 200 mm - 2.2 KW
- Cooking zones: 1 x Ø 400 mmx230 mm, 3.3 KW (max. Power level 3.7 KW) Induction or 2 x Ø 230 mm, 2.2 KW (max. Power level 3.7 KW) Induction; 1 x Ø 210 mm, 2.2 KW (max. Power level 3.7 KW) Induction; 1 x Ø 400 mmx230 mm, 3.3 KW (max. Power level 3.7 KW) Induction oder 2 x Ø 230 mm, 2.2 KW (max. Power level 3.7 KW) Induction

Comfort & Convenience

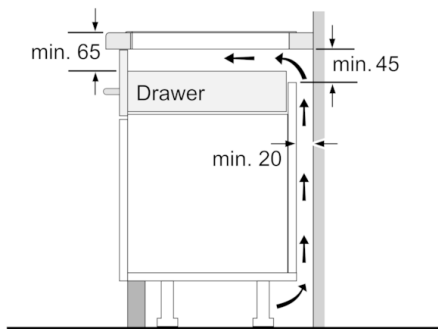
- Hob-based hood control (with matching hood)
- Timer with automatic switch off for all zones
- PowerBoost function - reduce the time to heat up large quantities of water
- ShortBoost function - reduce the time to heat up pans
- PerfectFry sensor with 5 automatic frying programs
- Move Mode - 3 Automatic Power Levels
- QuickStart - Quick and automatic first pot detection
- ReStart - Quickly reinstates previous settings
- Automatic pan recognition sensor PowerManagement
Function Automatic safety switch-off Childproof lock
WipeProtection
- Keep warm function - low setting for keeping food warm at the touch of a button
- Energy consumption display

Safety and Environment

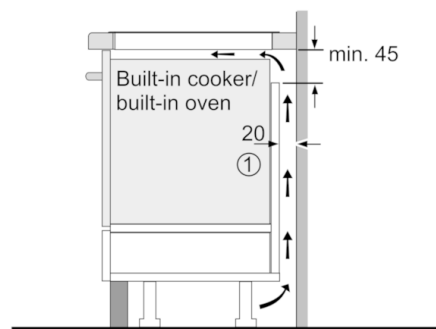
- Digital 2-stage residual heat indicator for each cooking zone
- Childproof lock
- Automatic safety switch-off

2 year warranty

**Serie | 8, Induction hob, 90 cm,
PXV975DV1E**



Measurements in mm



①
Ventilation gap must
be present

All measurements in mm