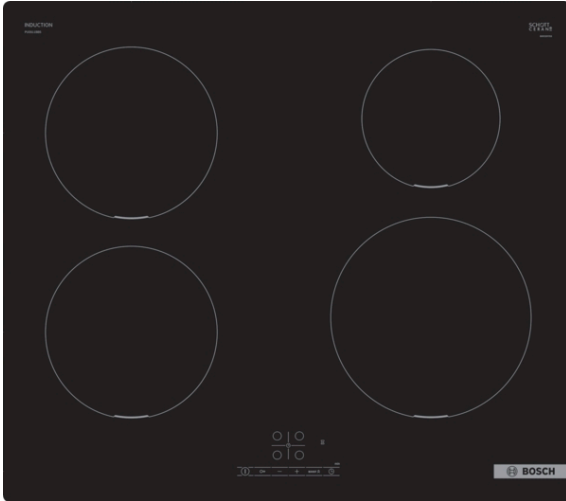


## Serie | 4, Induction hob, 60 cm, Black PUE611BB5E



### Optional accessories

HEZ390090 : Wok Set consisting of 3 Items

## The induction cooktop: cook fast, clean and safely while using very little energy.

- **Induction:** Fast, precise cooking, easy cleaning and low energy consumption.
- **TouchSelect:** Selection of the desired cooking zone and easy setting of the desired power level.
- **PowerBoost:** up to 50% more power for faster heating on your induction cooktop.
- **ReStart:** if something boils over, the cooktop automatically turns itself off and saves the last selected setting.
- **Timer with switch-off function:** Conveniently turns off the assigned cooking zone after the set time.

### Technical Data

Product name/family : Cooking zone ceramic  
Construction type : Built-in  
Energy input : Electric  
Total number of positions that can be used at the same time : 4  
Required niche size for installation (HxWxD) : 51 x 560-560 x 490-500 mm  
Width of the appliance : 592 mm  
Dimensions (HxWxD) : 51 x 592 x 522 mm  
Dimensions of the packed product (HxWxD) : 130 x 750 x 610 mm  
Net weight : 10.4 kg  
Gross weight : 11.6 kg  
Residual heat indicator : separate  
Location of control panel : Hob front  
Basic surface material : Ceramic  
Color of surface : Black  
Approval certificates : AENOR, CE, Morocco  
Length electrical supply cord : 110 cm  
EAN code : 4242005285082  
Electrical connection rating : 4600 W  
Voltage : 220-240 V  
Frequency : 50; 60 Hz



## Serie | 4, Induction hob, 60 cm, Black PUE611BB5E

### The induction cooktop: cook fast, clean and safely while using very little energy.

- 60 cm: space for 4 pots or pans.

#### Flexibility of cooking zones

- Cooking zone front left: 180 mm, 1.8 KW (max. power 3.1 KW)
- Cooking zone rear left: 180 mm, 1.8 KW (max. power 3.1 KW)
- Cooking zone rear right: 145 mm , 1.4 KW (max power 2.2 KW)
- Cooking zone front right: 210 mm, 2.2 KW (max. power 3.7 KW)

#### Usage convenience

- Electronic TouchSelect +/- controls: control the power with imprinted +/- touch buttons.
- 17 power levels for each cooking zone: precisely adapt the heat with 17 power levels (9 main levels and 8 intermediate levels).
- Switch-off timer: switches off the cooking zone at the end of the time set (e.g. for boiled eggs).
- Count-down timer: an alarm sounds at the end of the time set (e.g. for pasta).

#### Time saving & efficiency

- PowerBoost function - reduce the time to heat up large quantities of water  
: boil water more quickly thanks to 50% more energy than at the highest standard level.
- QuickStart - Quick and automatic first pot detection: when switching on, the cooktop automatically selects the cooking zone with cookware (placed in off-mode).
- ReStart - Quickly reinstates previous settings: in case of unintentional switch-off, restore all previous settings by switching on the cooktop again within 4 seconds.
- Quick Stop: quickly switch off a cooking zone with one longer touch.

#### Design

- Frameless

#### Safety

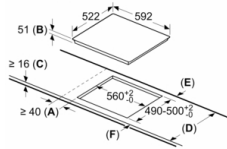
- Digital 2-stage residual heat indicator: indicates which cooking zones are still hot or warm.
- Childproof lock: prevent unintended activation of the cooktop.
- Main switch: switch off all cooking zones at the touch of a button.
- Automatic safety switch-off: for safety reasons, heating stops after a preset time without interaction (customizable).

#### Installation

- Dimensions of the product (HxWxD mm): 51 x 592 x 522
- Required niche size for installation (HxWxD mm) : 51 x 560 x (490 - 500)
- Min. worktop thickness: 16 mm
- Connected load: 4.6 KW
- PowerManagement Function: limit the maximum power if needed (depends on fuse protection of electric installation).
- Power cord: 1.1 m, connected directly

## Serie | 4, Induction hob, 60 cm, Black PUE611BB5E

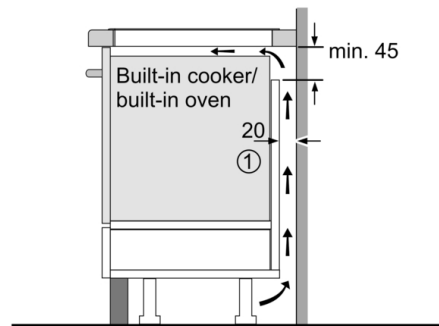
measurements in mm



- A:** Minimum distance from the hob cut-out to the wall.
- B:** Recessed depth
- C:** The clearance between the surface of the worktop and the top of the front of the oven must be 30 mm. See space requirements for the oven.

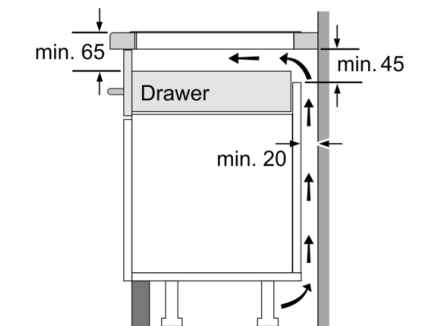
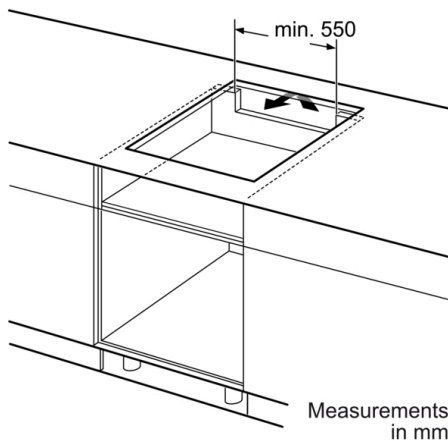
The worktop into which the hob is installed must withstand loads of approx. 60 kg; suitable substructures must be used if required.

D	E	F
585-600	50	≥ 35
> 600	≥ 50	≥ 50



①  
Ventilation gap must  
be present

All measurements in mm



Measurements in mm