

**Serie | 8, HEADER2.Gas\_Hob, 90 cm,  
Ceramic  
PRS9A6D70A**



**Included accessories**

- 1 x cross support for espresso
- 1 x WOK attachment ring

**The ceramic glass gas cooktop with  
FlameSelect: achieve perfect cooking  
results thanks to nine precisely defined  
power levels.**

- **FlameSelect:** adjust the gas flame precisely using nine defined levels.
- **Dual Wok Burner:** versatile burner for high temperature and gentle cooking all in one.
- **Dishwasher-safe pan supports:** make cleaning your cooktop even easier.
- **Digital display:** to indicate the selected power level and residual heat for more comfort and safety.
- **Surface:** highly heat-resistant glass-ceramic design.

**Technical Data**

Product name/family : gas hob w integrated controls

Construction type : Built-in

Energy input : Gas

Total number of positions that can be used at the same time : 5

Type of control setting devices : Sword knobs

Required niche size for installation (HxWxD) : 45 x 850-852 x 490-502 mm

Width of the appliance : 916 mm

Dimensions (HxWxD) : 45 x 916 x 527 mm

Dimensions of the packed product (HxWxD) : 165 x 1116 x 659 mm

Net weight : 18.843 kg

Gross weight : 22.5 kg

Residual heat indicator : separate

Location of control panel : Hob front

Basic surface material : Ceramic

Color of surface : Black

Color of frame : Black

Approval certificates : Australia Standards, Australia Standards

Length electrical supply cord : 100 cm

EAN code : 4242005287666

Electrical connection rating : 2 W

Gas connection rating : 13700 W

Fuse protection : 3 A

Voltage : 220-240 V

Frequency : 50-60 Hz



**Serie | 8, HEADER2.Gas\_Hob, 90 cm,  
Ceramic  
PRS9A6D70A**

**The ceramic glass gas cooktop with  
FlameSelect: achieve perfect cooking results  
thanks to nine precisely defined power  
levels.**

---

**Design**

- Black Ceramic glass
- Enamelled cast-iron trivets with rubber feet

**Comfort & Convenience**

- FlameSelect (9 steps)
- Electronic display
- sword knobs
- One-hand electronic ignition via controls
- Dishwasher safe pan supports

**Size & Power**

- 5 Gas burners
- Dual flame wok burner
- 1 High-speed, 2 Standard, 1 Economy, 1 Dual Wok burner
- Left: Wok burner up to 22.0 MJ (depending on gas type)
- Center rear: Economy burner up to 4.8 MJ (depending on gas type)
- Center front: Standard burner up to 8.1 MJ (depending on gas type)
- Right rear: High-speed burner up to 11.6 MJ (depending on gas type)
- Right front: Standard burner 8.1 MJ (depending on gas type)
- Additional tools for LPG conversion required: removal lever (483196) and spanner (269605).

**Safety and Environment**

- Flame failure device fitted to each individual burner
- 5-fold residual heat indicator
- Preset to natural gas (10mbar)

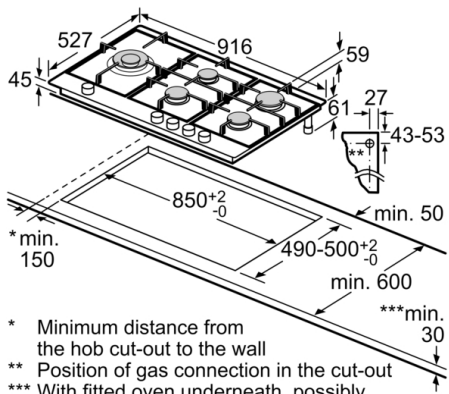
**Dimensions (WxD)**

- Installation dimensions: (H x W x D) 45 mm x 850 mm x 490 mm
- Appliance dimensions: (W x D) 916 mm x 527 mm
- Min. worktop thickness: 30 mm
- Power cord length 100 cm with plug

**Supplied Accessories**

- 1 x Wok attachment ring, cross support for espresso included.
- Liquid gas nozzles (28-30/37mbar) included

**Serie | 8, HEADER2.Gas\_Hob, 90 cm,  
Ceramic  
PRS9A6D70A**



- \* Minimum distance from the hob cut-out to the wall
  - \*\* Position of gas connection in the cut-out
  - \*\*\* With fitted oven underneath, possibly more; see space requirements for the oven
- measurements in mm