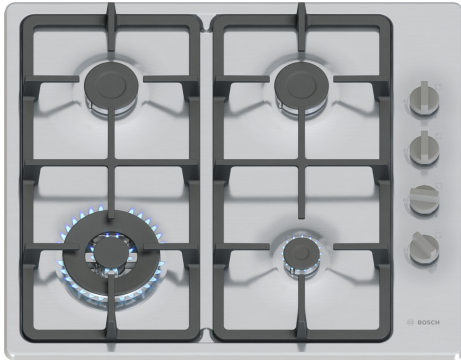


**Series 2, Gas cooktop, 60 cm,  
Stainless steel  
PBH6B5K90A**



- HEZ298105 Simmer plate
- HEZ298107 Wok ring
- HEZ298114 Small pot support
- HEZ32WA00 Wireless food thermometer
- HEZ9SE040 4 pieces Set
- HEZ9SE060 6 pieces Set

**The gas cooktop with easier cleaning  
thanks to increased spacing between the  
side-mounted control dials.**

- **Dishwasher-suitable pan supports:** make cleaning your hob even easier.
- **Continuous cast-iron pan support:** for high firmness and stability of cookware.
- **Wok burner:** quick boiling or precise simmering.
- **Safety gas cut-off:** ensures safety by instantly cutting off gas supply if the flame goes out.
- **Sword knobs:** firmer grip and easy control of your gas hob.

Product name/family: ..... gas cooktop w integrated controls  
 Built-in / Free-standing: ..... Built-in  
 Energy input: ..... Gas  
 Total number of positions that can be used at the same time: ..... 4  
 Type of control setting devices: ..... Sword knobs  
 Required niche size for installation (HxWxD): 45 x 560-560 x 480-490 mm  
 Width of the appliance: ..... 580 mm  
 Dimensions (HxWxD): ..... 51.8x580x510 mm  
 Dimensions of the packed product (HxWxD): ..... 166x798x596 mm  
 Net weight: ..... 10.7 kg  
 Gross weight: ..... 12.2 kg  
 Residual heat indicator: ..... without  
 Location of control panel: ..... Lateral  
 Basic surface material: ..... Stainless steel  
 Color of surface: ..... Stainless steel  
 Length electrical supply cord: ..... 100 cm  
 EAN code: ..... 4242005441105  
 Gas connection rating: ..... 8500 W  
 Fuse protection: ..... 3 A  
 Voltage: ..... 220-240 V  
 Frequency: ..... 50; 60 Hz





**Series 2, Gas cooktop, 60 cm,  
Stainless steel  
PBH6B5K90A**

**The gas cooktop with easier cleaning  
thanks to increased spacing between the  
side-mounted control dials.**

---

**Design**

- Stainless steel surface
- Enamelled cast-iron trivets with rubber feet

**Usage convenience**

- Sword control knobs, right sided: access knobs on the side with strong grip for effortless turning.
- One-hand electronic ignition via controls: just push and turn the knob to ignite the flame.

**Burners and power**

- 4 Gas burners
- Left front: Wok burner up to 15 Mj/h (depending on gas type)
- Left rear: Standard burner up to 6.5 Mj/h (depending on gas type)
- Right rear: Standard burner up to 6.5 Mj/h (depending on gas type)
- Right front: Economy burner up to 3.8 Mj/h (depending on gas type)

**Cleaning**

- Wider spacing between control dials for easier cleaning.
- Dishwasher suitable pan supports for easy cleaning.

**Safety**

- Flame failure device fitted to each individual burner: prevents unwanted gas flow when flame goes out.

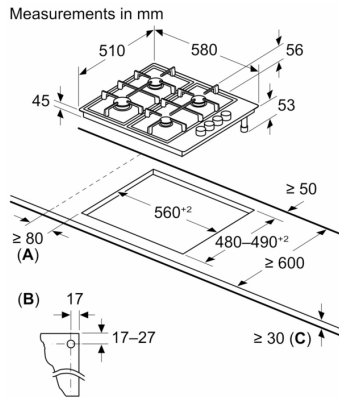
**Installation (gas types & measurements)**

- Preset of natural gas (10mbar)
- Nozzle set for Liquid gas nozzles (28-30/37mbar) included.
- Dimensions of the product (HxWxD mm): 51.8 x 580 x 510
- Required niche size for installation (HxWxD mm) : 45 x 560 x (480 - 490)
- Min. worktop thickness: 20 mm
- Power cord 1 m cable with plug

**Accessories**

- 1 x Wok attachment ring included

**Series 2, Gas cooktop, 60 cm,  
Stainless steel  
PBH6B5K90A**



**A:** Min. distance from the hob cut-out to the wall

**B:** Position of gas connection in the cut-out

**C:** With fitted oven underneath possibly more; see space requirements for the oven