

**Serie | 2, Gas hob, 60 cm,  
PBH6B5B90A**



**Included accessories**  
1 x WOK attachment ring

**The gas cooktop with side-mounted controls: the desired cooking zones can be conveniently operated from the side.**

- **Wok burner:** powerful cooking at up to 15 MJ/h.
- **Continuous cast-iron pan support:** for high firmness and stability of cookware.
- **Surface colour:** Stainless steel

**Technical Data**

Product name/family :	gas hob w integrated controls
Construction type :	Built-in
Energy input :	Gas
Total number of positions that can be used at the same time :	4
Required niche size for installation (HxWxD) :	45 x 560-562 x 480-492
Width of the product (mm) :	580
Dimensions of the product (mm) :	45 x 580 x 510
Dimensions of the packed product (HxWxD) (mm) :	141 x 651 x 578
Net weight (kg) :	9.672
Gross weight (kg) :	11.0
Residual heat indicator :	without
Location of control panel :	right
Basic surface material :	Stainless steel
Color of surface :	Stainless steel
Color of frame :	Stainless steel
Approval certificates :	Australia Standards, Australia Standards
Length electrical supply cord (cm) :	100
EAN code :	4242005080793
Electrical connection rating (W) :	1
Gas connection rating (W) :	8400
Current (A) :	3
Voltage (V) :	220-240
Frequency (Hz) :	50; 60



4 242005 080793

## Serie | 2, Gas hob, 60 cm, PBH6B5B90A

**The gas cooktop with side-mounted controls: the desired cooking zones can be conveniently operated from the side.**

---

### **Design**

- 4 burner brushed stainless steel gas cooktop
- 2 standard, 1 economy, 1 wok burner
- Enamelled cast-iron trivets with rubber feet

### **Size & Power**

- Front left: Wok burner 15 Mj/h
- Rear left: Standard burner up to 6.5 Mj/h (depending on gas type)
- Rear right: Standard burner up to 6.5 Mj/h (depending on gas type)
- Front right: Economy burner up to 4 Mj/h (depending on gas type)

### **Comfort & Convenience**

- Easy to use side control knobs
- One-hand electronic ignition via controls

### **Safety and Environment**

- Flame failure device fitted to each individual burner

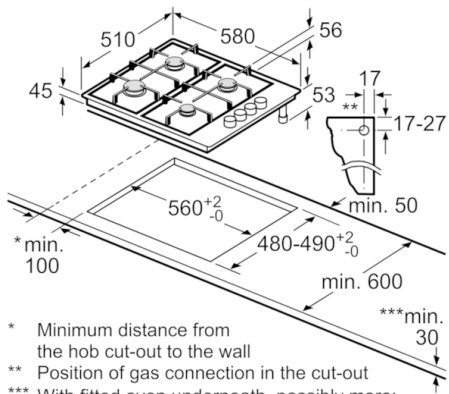
### **Dimensions (WxD)**

- Appliance dimensions: (W x D) 580 mm x 510 mm
- Installation dimensions: (H x W x D) 45 mm x 560 mm x 480 mm
- Connecting cable 1 m with plug
- Preset to natural gas (10mbar)

### **Supplied Accessories**

- Liquid gas nozzles (28-30/37mbar) included

**Serie | 2, Gas hob, 60 cm,  
PBH6B5B90A**



- \* Minimum distance from the hob cut-out to the wall
  - \*\* Position of gas connection in the cut-out
  - \*\*\* With fitted oven underneath, possibly more; see space requirements for the oven
- measurements in mm