

Freestanding Cooker, Induction, 90cm, 5 Zones with SmartZone, Self-cleaning

Series 9 | Classic

Black



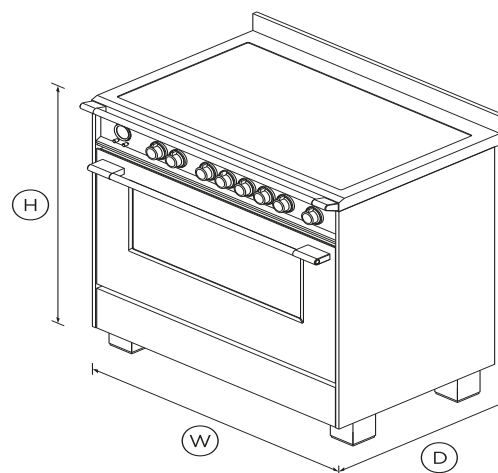
With large oven and cooktops that can be paired to create an expansive cook zone, this freestanding cooker is made for those who love to cook.

- Five cooking zones that can be bridged to form SmartZones
- Convection oven with 140L total capacity, nine oven functions plus rotisserie, including Pastry Bake with pizza mode and rapid proof for making bread
- Non-tip full-extension shelves for safe removal of hot dishes

- High-temperature self-cleaning function breaks down food residue for an easy clean

DIMENSIONS

Height	898 - 946mm
Width	897mm
Depth	600mm



FEATURES & BENEFITS

MULTI-SHELF COOKING

Our AeroTech™ system circulates air evenly throughout the entire oven so dishes on the top shelf turn out just as perfectly as food cooking on the bottom shelf.

QUALITY AND DURABILITY

Every detail has been carefully crafted. The solid, perfectly

balanced soft-close door, durable cooktop and glowing halo dials all add up to an exceptional, premium range.

POWER & CONTROL

Instant and immediate control from the highest to the gentlest heat. The finely tuned cooktop controls let you sear, stir fry or simmer a delicate sauce to perfection.

EASY TO CLEAN

Cleaning up spills is effortless. Your cooktop simply needs a quick wipe to keep it looking good as new. The pyrolytic self-clean oven cycle breaks down food residue at a very high temperature, leaving a light ash that's easily removed with a damp cloth.

COMPLEMENTARY DESIGN

Combining traditional aesthetics and modern performance, this Classic style freestanding range cooker is the perfect centrepiece for your unique kitchen design.

LARGE CAPACITY OVEN

The generous 140L total capacity oven gives you plenty of space to cook multiple dishes at once.

MULTI-FUNCTION FLEXIBILITY

No matter what you are cooking, you have the right heat to match thanks to nine oven functions plus Rotisserie, including Pastry Bake with Pizza Mode and Rapid Proof for making bread.

SPECIFICATIONS

Accessories

Flat wire shelf	1
Full Extension Telescopic	2 sets (part 578744)
Full extension sliding shelves	2 sets (part 578744)
Grill rack	•
Kick strip, black (optional)	KICKOR90B1
Roasting dish	1

Rotisserie set	1 set	Turned stainless steel clock	•	Warming drawer power	202W
Step down wire shelf	•				
<hr/>					
Capacity		Oven features		Power requirements	
Capacity usable	120L	AeroTech™ technology	•	Amperage	68A
Shelf positions	6	Automatic rapid pre-heat	•	Supply frequency	50Hz
Total capacity	140L	Bright chromed, cast zinc dials	•	Supply voltage	220 - 240V
<hr/>					
Cleaning		Convection	•	Product dimensions	
Acid resistant graphite enamel	•	Electronic oven control	•	Depth	600mm
Drop down grill element	•	Internal light	4 x 25W halogen (2 side & 2	Height	898 - 946mm
Flat easy clean glass surface	•	Soft open/close door	•	Width	897mm
Pyrolytic proof shelf runners	•	True convection	•	<hr/>	
Pyrolytic self-clean	•	Twin cavity fans	•	Cooktop Features	
Removable oven door	•	Warming drawer	•	Auto heat reduce	•
Removable oven door inner	•			Dual colour display	•
Removable shelf runners	•	Oven functions		Gentle heat	•
<hr/>					
Controls		Bake	•	Heat settings	9
Audio feedback	•	Fan bake	•	Hob rail	•
Automatic cooking/minute	•	Fan forced	•	Induction cooking technology	•
Automatic pre-set	•	Fan grill	•	SmartZone	•
Celsius/Fahrenheit	•	Grill	•	Zone bridging	•
Electronic clock	•	Number of functions	9	<hr/>	
High resolution display	•	Pastry Bake with Pizza mode	•	Cooktop Performance	
Laser etched graphics	•	Rapid proof	•	Centre	2300W
Precise electronic temperature	•	Roast	•	Left front zone rating	1600 (1850)W
Sabbath mode	•	Rotisserie	•	Left rear zone rating	2100 (3000)W
Toughened fused glass	•	True convection	•	Number of cooking zones	5
Turned stainless steel clock	•			PowerBoost	•
<hr/>					
		Oven performance		PowerBoost all zones	up to 3000W
		CoolTouch door	Quadruple glazed	Right front zone rating	1600 (1850)W
		Grill power	4500W		

Right rear zone rating **2100 (3000)W**

Safety

- Advanced cooling system •
- Anti-tilt bracket •
- Balanced oven door •
- Catalytic venting system •
- Child lock •
- CoolTouch door •
- Full extension telescopic •
- Non-tip shelves •
- Pan detection system •
- Safety time out •
- Spillage auto off •
- Surface hot indicators •

Warranty

Parts and labour **2 years**

SKU **81694**

The product dimensions and specifications in this page apply to the specific product and model. Under our policy of continuous improvement, these dimensions and specifications may change at any time. You should therefore check with Fisher & Paykel's Customer Care Centre to ensure this page correctly describes the model currently available. ? Fisher & Paykel Appliances Ltd 2020

Other product downloads available at fisherpaykel.com

- [↓](#) Service & Warranty
- [↓](#) User Guide
- [↓](#) Installation Guide - Kick Strip
- [↓](#) Installation Guide Freestanding Cooker



A PEACE OF MIND SALE

24 Hours 7 Days a Week Customer Support

T 1300 650 590 Wwww.fisherpaykel.com